

META Single-lever shower mixer for wall mounting - Brushed Bronze

33 300 660 Product version from 7/1/2023



- 3/8" shower outlet
- slide-on rosettes Ø 60 mm
- 1/2" connection
- gauge 150 mm - 15 mm
- WRAS

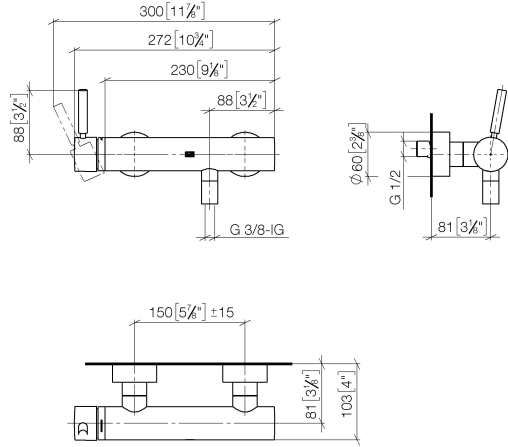
Intrinsic protection against back flow.

| | | |
|---|-------------------------------|---------------|
|  | Brushed Bronze | 33 300 660-42 |
|  | Chrome | 33 300 660-00 |
|  | Brushed Platinum | 33 300 660-06 |
|  | Dark Chrome | 33 300 660-19 |
|  | Light Gold | 33 300 660-26 |
|  | Brushed Light Gold | 33 300 660-27 |
|  | Matte Black | 33 300 660-33 |
|  | Brushed Champagne (22kt Gold) | 33 300 660-46 |
|  | Champagne (22kt Gold) | 33 300 660-47 |
|  | Brushed Chrome | 33 300 660-93 |
|  | Brushed Dark Platinum | 33 300 660-99 |

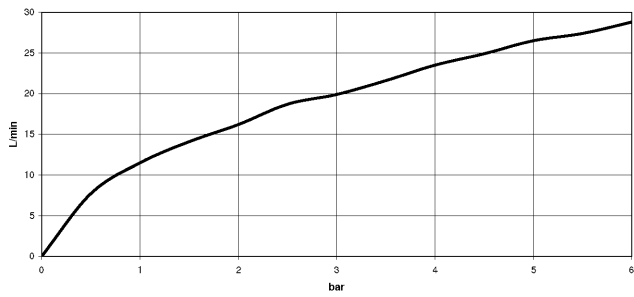
META Single-lever shower mixer for wall mounting - Brushed Bronze

33 300 660 Product version from 7/1/2023

mm [inches]



Flow rate chart



Codes & Standards

DIN 4109

ISO 3822

Ü-Zeichen



META Single-lever shower mixer for wall mounting - Brushed Bronze

33 300 660 Product version from 7/1/2023

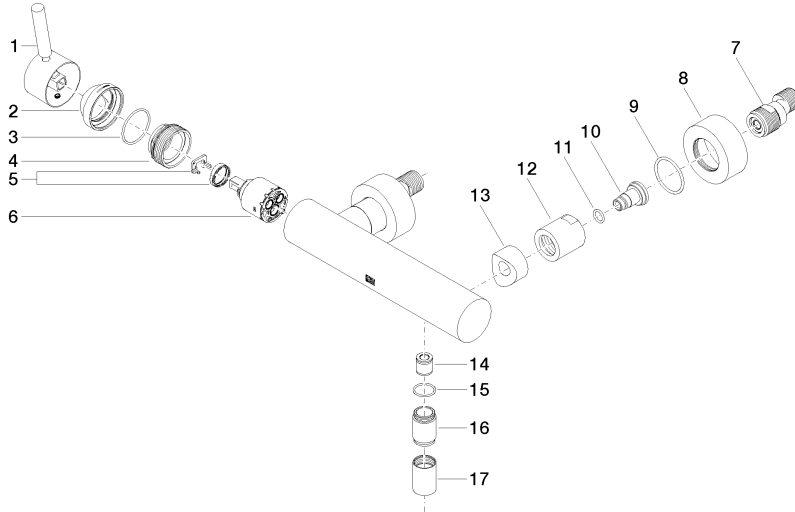
Certificates

LGA_29

META Single-lever shower mixer for wall mounting - Brushed Bronze

33 300 660 Product version from 7/1/2023

Parts for other finishes can be found here: [Chrome](#)



Spare parts list

| No. | Item Number | Name | Quantity used | Delivery time |
|-----|--------------------|---------------------|---------------|---------------|
| 1 | 90 20 66 007 00-42 | handle | 1 | 30 |
| 2 | 09 28 30 032-42 | cover | 1 | 60 |
| 3 | 09 14 10 102 90 | seal | 1 | 2 |
| 4 | 09 24 04 296 90 | nut | 1 | 2 |
| 5 | 90 28 10 148 00 90 | accessories | 1 | 2 |
| 6 | 90 15 05 064 00 90 | cartridge | 1 | 2 |
| 7 | 04 11 04 030 00 90 | connection | 2 | 2 |
| 8 | 09 27 62 004-42 | rosette | 2 | 60 |
| 9 | 09 14 10 119 90 | seal | 2 | 2 |
| 10 | 09 29 05 005 20 90 | nipple | 2 | 60 |
| 11 | 09 14 10 008 90 | seal | 2 | 2 |
| 12 | 09 23 10 048-42 | nut | 2 | 60 |
| 13 | 09 18 40 059-42 | sleeve | 2 | 60 |
| 14 | 90 23 01 141 00 90 | back-flow preventer | 1 | 2 |
| 15 | 90 14 10 032 00 90 | seal | 1 | 2 |
| 16 | 09 24 03 115 20-42 | nipple | 1 | 60 |
| 17 | 90 21 02 069 00-42 | cover | 1 | 30 |