




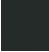
## DORNBACHT YARRE Single-lever basin mixer with pop-up waste - Chrome

---

33 501 832



- 120mm projection
- fixed spout
- circular, air-enriched flow
- height of mixer 126 mm
- height up to aerator 80 mm
- hole diameter 35 mm
- 2x screw-in M 8 x 1 pressure hose, leak-tested
- max. flow 6.8 l/min
- WRAS 240104004

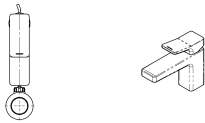
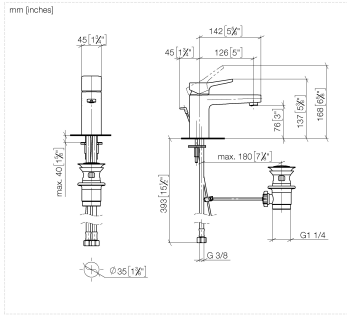
	Chrome	33 501 832-00
	Soft Black	33 501 832-69

---

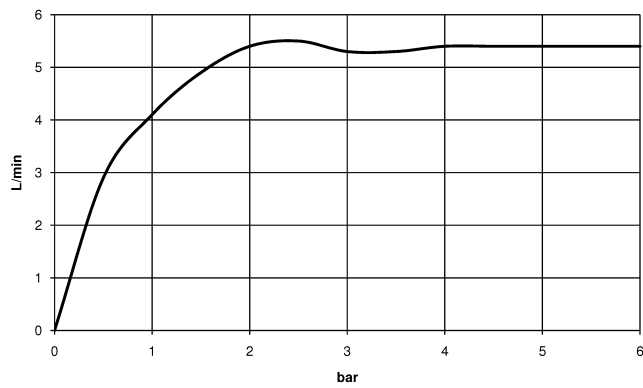


## DORNBRACHT YARRE Single-lever basin mixer with pop-up waste - Chrome

33 501 832



### Flow rate chart



### Codes & Standards

DIN 4109

ISO 3822

Scottish Water  
Byelaws

UK Water Supply  
Regulations

Ü-Zeichen

XP P 41-280



## DORNBACHT YARRE Single-lever basin mixer with pop-up waste - Chrome

---

33 501 832

### Certificates

---

AbP\_10

WRAS\_240104

ACS\_23 ACC NY

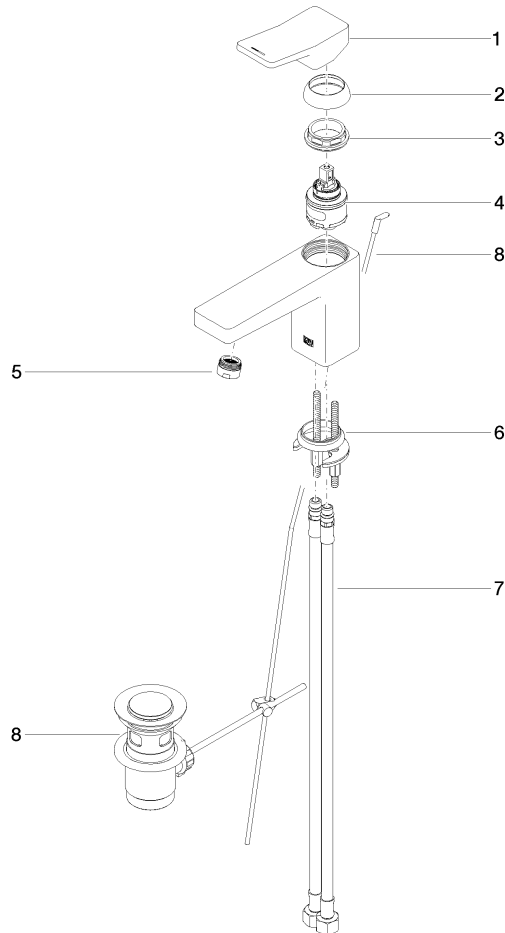


## DORNBACHT YARRE Single-lever basin mixer with pop-up waste - Chrome

33 501 832

### Product version from 1/1/2023

Parts for other finishes can be found here: [Soft Black](#)





## DORNBACHT YARRE Single-lever basin mixer with pop-up waste - Chrome

---

33 501 832

### Spare parts list

#### Product version from 1/1/2023

No.	Item Number	Name	Quantity used	Delivery time
	90 20 83 004 00-00	handle	9	2