

33 502 782

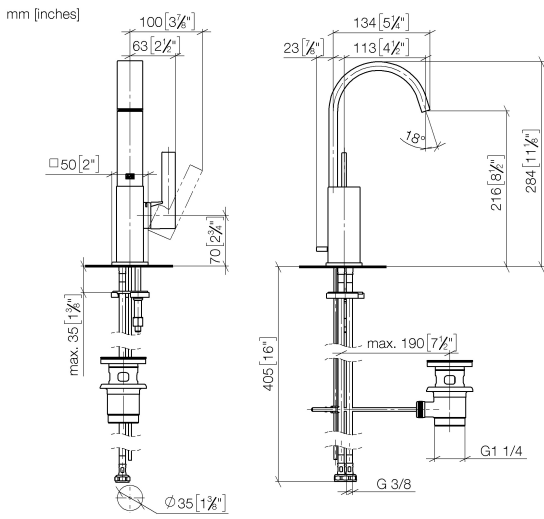


- 113mm projection
- fixed spout
- rectangular, air-enriched flow
- height of mixer 284 mm
- height up to aerator 216 mm
- hole diameter 35 mm
- 2x screw-in M 10 x 1 pressure hose, leak-tested
- max. flow 5.7 l/min
- lead-free
- This product can help a building meet the requirements of Green Building Rating Systems, e.g. LEED®, BREEAM®, DGNB

Only suitable for basins with an overflow.

	Platinum	33 502 782-08
	Chrome	33 502 782-00
	Brushed Platinum	33 502 782-06
	Dark Chrome	33 502 782-19
	Brushed Durabronze (23kt Gold)	33 502 782-28
	Brushed Champagne (22kt Gold)	33 502 782-46
	Champagne (22kt Gold)	33 502 782-47
	Brushed Dark Platinum	33 502 782-99

33 502 782



**Flow rate chart**



**Codes & Standards**

DIN 4109

Executive Order  
no. 1007

ISO 3822

Ü-Zeichen



## MEM Single-lever basin mixer with pop-up waste - Platinum

---

MEM

33 502 782

### Certificates

---

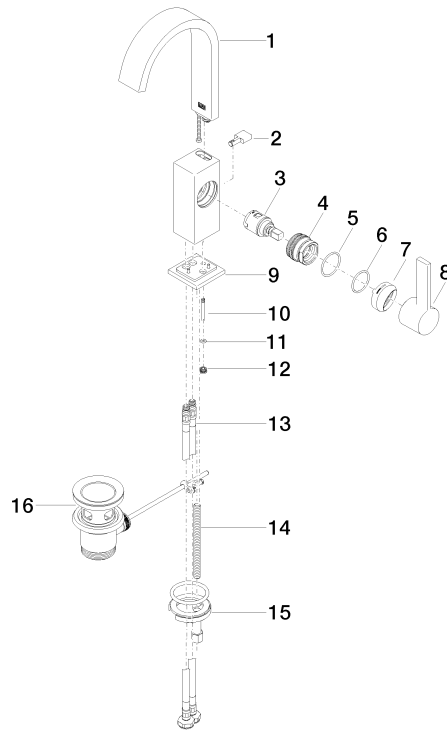
LGA\_28

GDV\_0400

33 502 782

**Product version from 9/1/2022**

Parts for other finishes can be found here: [Chrome](#)





MEM Single-lever basin mixer with pop-up waste - Platinum

MEM

33 502 782

**Spare parts list**

**Product version from 9/1/2022**

No.	Item Number	Name	Quantity used	Delivery time
	90 28 22 365 10-08	spout	17	40