

MEM Single-lever basin mixer with pop-up waste - Brushed Durabronz (23kt Gold)

MEM

33 502 782



- 113mm projection
- fixed spout
- rectangular, air-enriched flow
- height of mixer 284 mm
- height up to aerator 216 mm
- hole diameter 35 mm
- 2x screw-in M 10 x 1 pressure hose, leak-tested
- max. flow 5.7 l/min
- lead-free
- This product can help a building meet the requirements of Green Building Rating Systems, e.g. LEED®, BREEAM®, DGNB

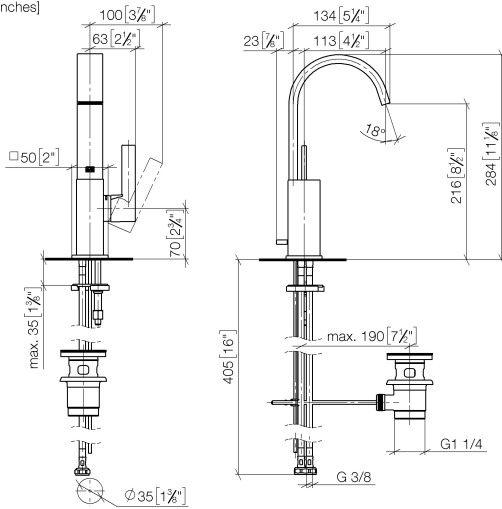
Only suitable for basins with an overflow.

	Brushed Durabronz (23kt Gold)	33 502 782-28
	Chrome	33 502 782-00
	Brushed Platinum	33 502 782-06
	Platinum	33 502 782-08
	Dark Chrome	33 502 782-19
	Brushed Champagne (22kt Gold)	33 502 782-46
	Champagne (22kt Gold)	33 502 782-47
	Brushed Dark Platinum	33 502 782-99

MEM Single-lever basin mixer with pop-up waste - Brushed Durabronz (23kt Gold)

MEM

33 502 782
mm [inches]



Flow rate chart



Codes & Standards

DIN 4109

Executive Order
no. 1007

ISO 3822

Ü-Zeichen



MEM Single-lever basin mixer with pop-up waste - Brushed Durabronz (23kt Gold)

MEM

33 502 782
Certificates

LGA_28

GDV_0400



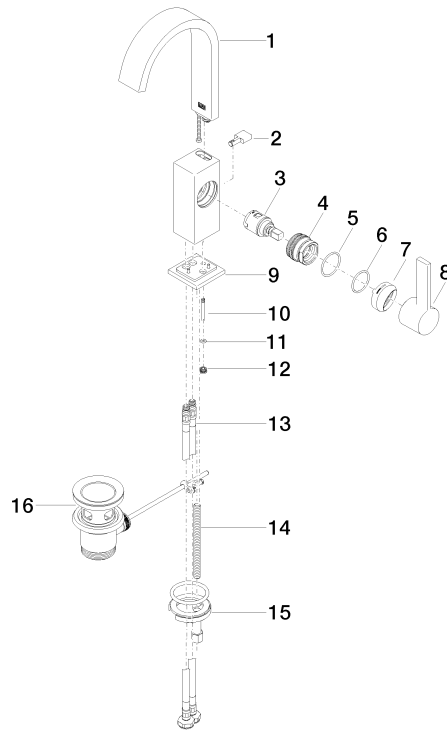
MEM Single-lever basin mixer with pop-up waste - Brushed Durabronz (23kt Gold)

MEM

33 502 782

Product version from 9/1/2022

Parts for other finishes can be found here: [Chrome](#)





MEM Single-lever basin mixer with pop-up waste - Brushed Durabronze (23kt Gold)

MEM

33 502 782

Spare parts list

Product version from 9/1/2022

No.	Item Number	Name	Quantity used	Delivery time
	90 28 22 365 10-28	spout	17	20