

LISSÉ Single-lever basin mixer with raised base with pop-up waste - Matte Black








LISSÉ

33 506 845

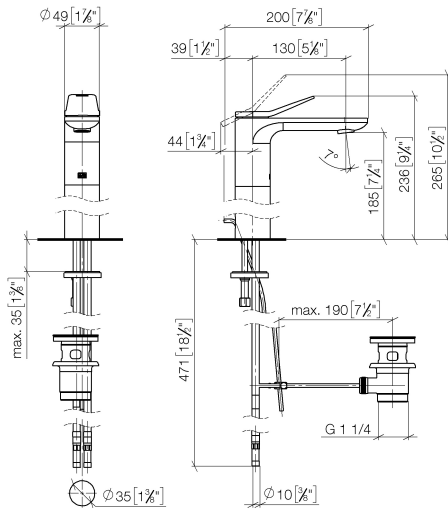


- 130mm projection
- fixed spout
- circular, air-enriched flow
- height of mixer 236 mm
- height up to aerator 185 mm
- hole diameter 35 mm
- 2x screw-in M 8 x 1 pressure hose, leak-tested
- max. flow 5.7 l/min
- lead-free
- This product can help a building meet the requirements of Green Building Rating Systems, e.g. LEED®, BREEAM®, DGNB
- WRAS 1906074

Only suitable for basins with an overflow.

	Matte Black	33 506 845-33
	Chrome	33 506 845-00
	Brushed Platinum	33 506 845-06
	Dark Chrome	33 506 845-19
	Brushed Light Gold	33 506 845-27
	Brushed Chrome	33 506 845-93
	Brushed Dark Platinum	33 506 845-99

33 506 845
mm [inches]



Flow rate chart



Codes & Standards

DIN 4109

Executive Order
no. 1007

ISO 3822

Ü-Zeichen



LISSÉ Single-lever basin mixer with raised base with pop-up waste - Matte
Black

LISSÉ

33 506 845
Certificates

GDV_0400

LGA_29

LISSÉ Single-lever basin mixer with raised base with pop-up waste - Matte
Black

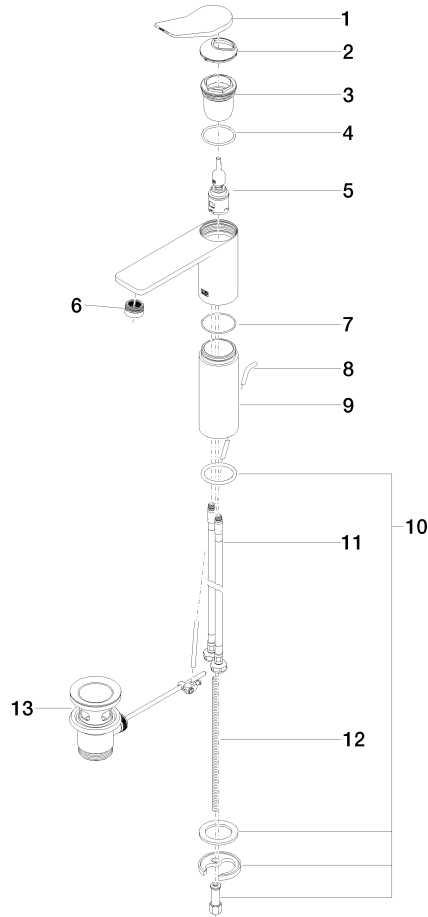
LISSÉ

33 506 845

Product version from 3/9/2016 to 10/31/2018

Product version from 5/1/2021

Parts for other
finishes can be found
here: [Chrome](#)





LISSÉ Single-lever basin mixer with raised base with pop-up waste - Matte Black

LISSÉ

33 506 845

Spare parts list

Product version from 3/9/2016 to 10/31/2018

Product version from 5/1/2021

No.	Item Number	Name	Quantity used	Delivery time
	90 20 84 020 00-33	handle	14	30