


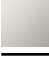




33 507 670



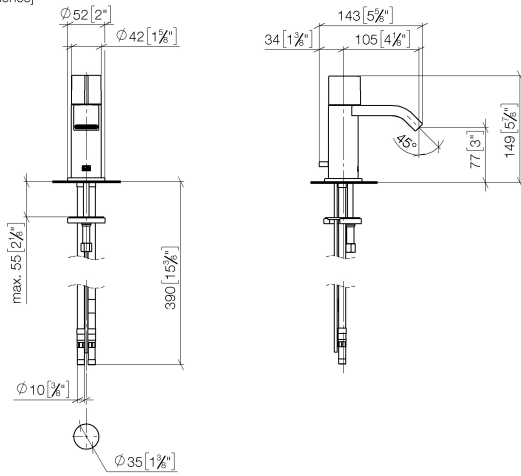
- 105mm projection
- fixed spout
- rectangular, air-enriched flow
- height of mixer 149 mm
- height up to aerator 80 mm
- hole diameter 35 mm
- rosette Ø 52 mm optional
- progressive cartridge
- 2x screw-in M 10 x 1 pressure hose, leak-tested
- max. flow 7 l/min
- lead-free
- This product can help a building meet the requirements of Green Building Rating Systems, e.g. LEED®, BREEAM®, DGNB

Only suitable for basins with an overflow.

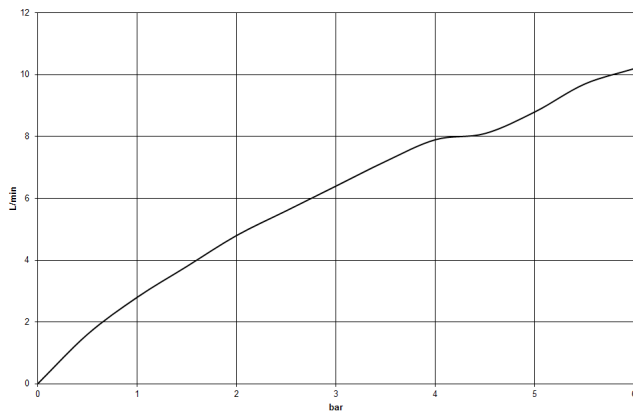
	Brushed Chrome	33 507 670-93
	Chrome	33 507 670-00
	Brushed Platinum	33 507 670-06
	Platinum	33 507 670-08
	Brushed Durabross (23kt Gold)	33 507 670-28
	Brushed Dark Platinum	33 507 670-99

33 507 670

mm [inches]



Flow rate chart



Codes & Standards

DIN 4109

EN 817

Executive Order
no. 1007

ISO 3822

Ü-Zeichen

VA-Zeichen



IMO Single-lever basin mixer with pop-up waste - Brushed Chrome

IMO

33 507 670

Certificates

GDV_0400

LGA_19

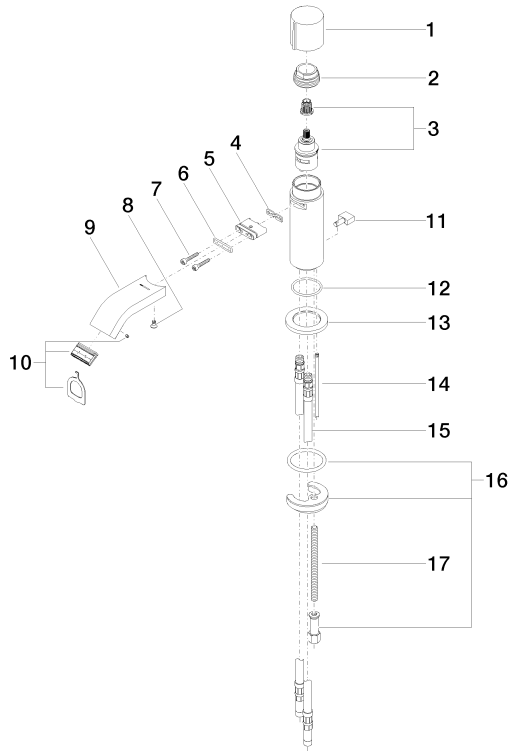
ETA_19

33 507 670

Product version up to 5/10/2021

Product version from 5/10/2021

Parts for other
finishes can be found
here: [Chrome](#)



18 Revisi/gambar 04.11.01.2021.00-0



IMO Single-lever basin mixer with pop-up waste - Brushed Chrome

IMO

33 507 670

Spare parts list

Product version up to 5/10/2021

Product version from 5/10/2021

No.	Item Number	Name	Quantity used	Delivery time
	09 20 67 001-93	handle	20	20