

33 513 882

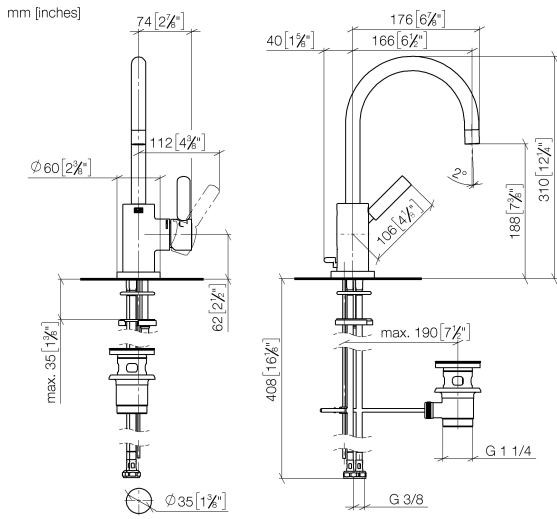


- 166mm projection
- pivotable spout 360°
- circular, air-enriched flow
- height of mixer 310 mm
- height up to aerator 188 mm
- hole diameter 35 mm
- 2x screw-in M 8 x 1 pressure hose, leak-tested
- max. flow 5.7 l/min
- lead-free
- This product can help a building meet the requirements of Green Building Rating Systems, e.g. LEED®, BREEAM®, DGNB
- WRAS 2212025

Only suitable for basins with an overflow.

|  |                                |               |
|--|--------------------------------|---------------|
|    | Champagne (22kt Gold)          | 33 513 882-47 |
|    | Chrome                         | 33 513 882-00 |
|    | Brushed Platinum               | 33 513 882-06 |
|    | Platinum                       | 33 513 882-08 |
|    | Dark Chrome                    | 33 513 882-19 |
|    | Brushed Durabronze (23kt Gold) | 33 513 882-28 |
|    | Matte Black                    | 33 513 882-33 |
|    | Brushed Bronze                 | 33 513 882-42 |
|    | Brushed Champagne (22kt Gold)  | 33 513 882-46 |
|   | Brushed Chrome                 | 33 513 882-93 |
|  | Brushed Dark Platinum          | 33 513 882-99 |

33 513 882



**Flow rate chart**



**Codes & Standards**

DIN 4109

ISO 3822

Scottish Water  
Byelaws

UK Water Supply  
Regulations

**Ü-Zeichen**



TARA Single-lever basin mixer with pop-up waste - Champagne (22kt Gold)

---

TARA

33 513 882

Certificates

---

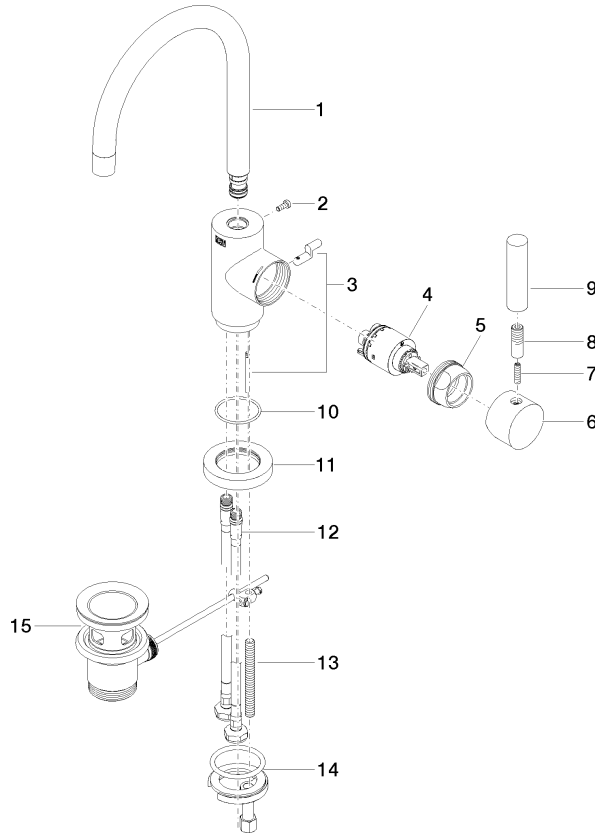
LGA\_38

WRAS\_2212

33 513 882

**Product version from 4/1/2024**

Parts for other finishes can be found here: [Chrome](#)





TARA Single-lever basin mixer with pop-up waste - Champagne (22kt Gold)

TARA

33 513 882

**Spare parts list**

**Product version from 4/1/2024**

| No. | Item Number        | Name  | Quantity used | Delivery time |
|-----|--------------------|-------|---------------|---------------|
|     | 90 28 22 372 00-47 | spout | 16            | 30            |