




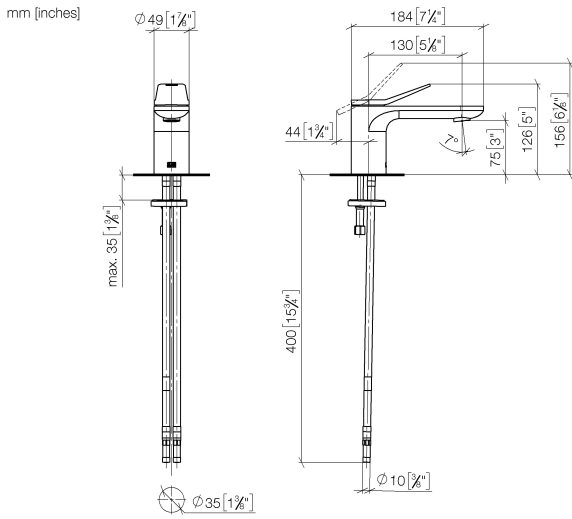
33 521 845



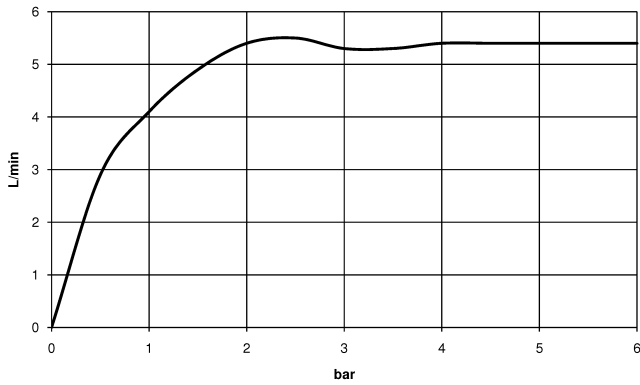
- 130mm projection
- fixed spout
- circular, air-enriched flow
- height of mixer 127 mm
- height up to aerator 75 mm
- hole diameter 35 mm
- 2x screw-in M 8 x 1 pressure hose, leak-tested
- max. flow 5.7 l/min
- lead-free
- This product can help a building meet the requirements of Green Building Rating Systems, e.g. LEED®, BREEAM®, DGNB
- WRAS 1906074

| | | |
|--|-----------------------|---------------|
|  | Brushed Dark Platinum | 33 521 845-99 |
|  | Chrome | 33 521 845-00 |
|  | Brushed Platinum | 33 521 845-06 |
|  | Dark Chrome | 33 521 845-19 |
|  | Brushed Light Gold | 33 521 845-27 |
|  | Matte Black | 33 521 845-33 |
|  | Brushed Chrome | 33 521 845-93 |

33 521 845



Flow rate chart



Codes & Standards

DIN 4109

Executive Order
no. 1007

ISO 3822

Ü-Zeichen



LISSÉ Single-lever basin mixer without pop-up waste - Brushed Dark Platinum

LISSÉ

33 521 845

Certificates

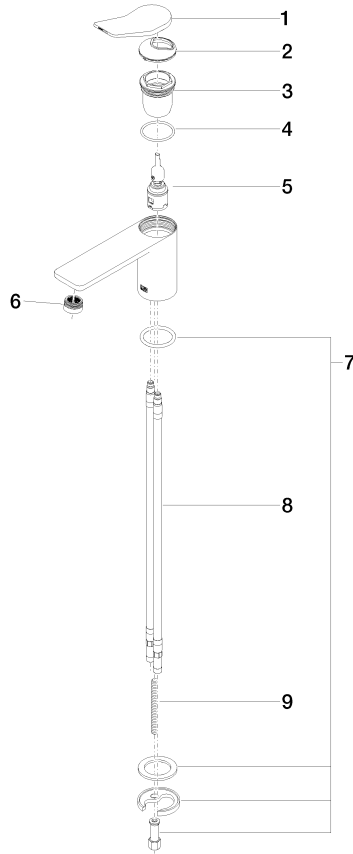
GDV_0400

LGA_29

33 521 845

Product version from 5/3/2021

Parts for other finishes can be found here: [Chrome](#)





LISSÉ Single-lever basin mixer without pop-up waste - Brushed Dark Platinum

LISSÉ

33 521 845

Spare parts list

Product version from 5/3/2021