

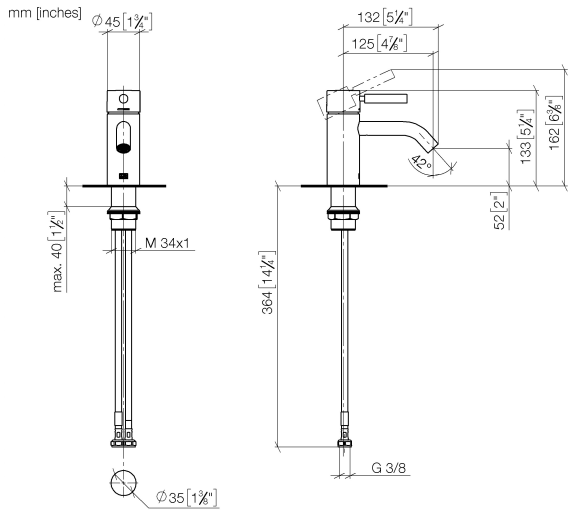
33 526 660



- 125mm projection
- fixed spout
- circular, air-enriched flow
- height of mixer 133 mm
- height up to aerator 52 mm
- hole diameter 35 mm
- 2x screw-in M 8 x 1 pressure hose, leak-tested
- max. flow 5.7 l/min
- lead-free
- This product can help a building meet the requirements of Green Building Rating Systems, e.g. LEED®, BREEAM®, DGNB
- WRAS 2003058

| | | |
|--|-------------------------------|---------------|
|  | Brushed Chrome | 33 526 660-93 |
|  | Chrome | 33 526 660-00 |
|  | Brushed Platinum | 33 526 660-06 |
|  | Dark Chrome | 33 526 660-19 |
|  | Light Gold | 33 526 660-26 |
|  | Brushed Light Gold | 33 526 660-27 |
|  | Matte Black | 33 526 660-33 |
|  | Brushed Bronze | 33 526 660-42 |
|  | Brushed Champagne (22kt Gold) | 33 526 660-46 |
|  | Champagne (22kt Gold) | 33 526 660-47 |
|  | Brushed Dark Platinum | 33 526 660-99 |

33 526 660



Flow rate chart



Codes & Standards

DIN 4109

ISO 3822

Scottish Water
Byelaws

UK Water Supply
Regulations

Ü-Zeichen



META Single-lever basin mixer without pop-up waste - Brushed Chrome

META

33 526 660

Certificates

WRAS_2003

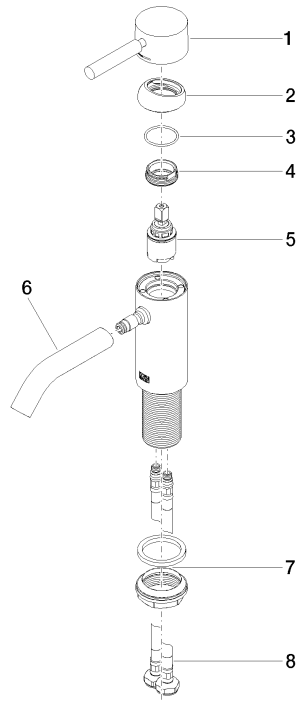
LGA_29

33 526 660

Product version up to 1/23/2020

Product version from 1/23/2020

Parts for other
finishes can be found
here: [Chrome](#)





META Single-lever basin mixer without pop-up waste - Brushed Chrome

META

33 526 660

Spare parts list

Product version up to 1/23/2020

Product version from 1/23/2020

| No. | Item Number | Name | Quantity used | Delivery time |
|-----|--------------------|--------|---------------|---------------|
| | 90 20 66 002 00-93 | handle | 9 | 20 |