





DORNBACHT YARRE Single-lever basin mixer with raised base without pop-up waste - Soft Black

33 537 832



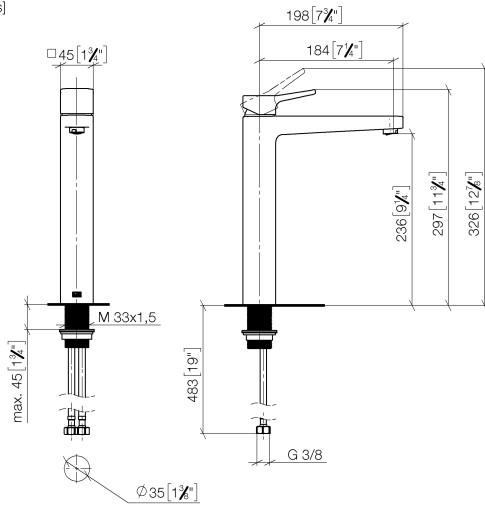
- 180mm projection
- fixed spout
- circular, air-enriched flow
- height of mixer 297 mm
- height up to aerator 236 mm
- hole diameter 35 mm
- 2x screw-in M 8 x 1 pressure hose, leak-tested
- max. flow 6.8 l/min
- WRAS 240104004

	Soft Black	33 537 832-69
	Chrome	33 537 832-00

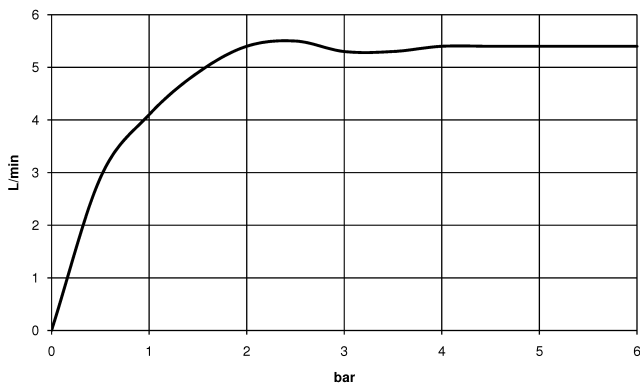


DORNBRACHT YARRE Single-lever basin mixer with raised base without pop-up waste - Soft Black

33 537 832
mm [inches]



Flow rate chart



Codes & Standards

DIN 4109

ISO 3822

Scottish Water
Byelaws

UK Water Supply
Regulations

Ü-Zeichen

XP P 41-280



DORNBACHT YARRE Single-lever basin mixer with raised base without pop-up waste - Soft Black

33 537 832

Certificates

AbP_10

WRAS_240104

ACS_23 ACC NY

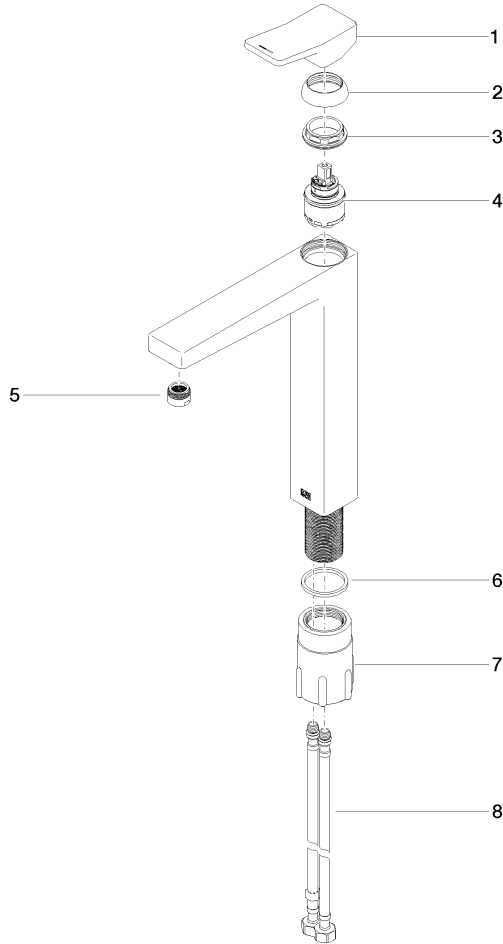


DORNBACHT YARRE Single-lever basin mixer with raised base without pop-up waste - Soft Black

33 537 832

Product version from 1/1/2023

Parts for other finishes can be found here: [Chrome](#)





DORNBACHT YARRE Single-lever basin mixer with raised base without pop-up waste - Soft Black

33 537 832

Spare parts list

Product version from 1/1/2023

No.	Item Number	Name	Quantity used	Delivery time
	90 20 83 004 00-69	handle	8	2