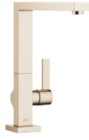


LOT Single-lever mixer - Brushed Champagne (22kt Gold)

LOT

33 800 680



- 236mm projection
- pivotable spout 360°
- air-enriched flow
- max. flow 8 l/min at 3 bar flow pressure
- lead-free
- This product can help a building meet the requirements of Green Building Rating Systems, e.g. LEED®, BREEAM®, DGNB

	Brushed Champagne (22kt Gold)	33 800 680-46
	Chrome	33 800 680-00
	Brushed Platinum	33 800 680-06
	Platinum	33 800 680-08
	Dark Chrome	33 800 680-19
	Brushed Durabronze (23kt Gold)	33 800 680-28
	Champagne (22kt Gold)	33 800 680-47
	Brushed Dark Platinum	33 800 680-99

Recommended miscellaneous

Dispenser with rosette - Brushed Champagne (22kt Gold) 82 439 970-46

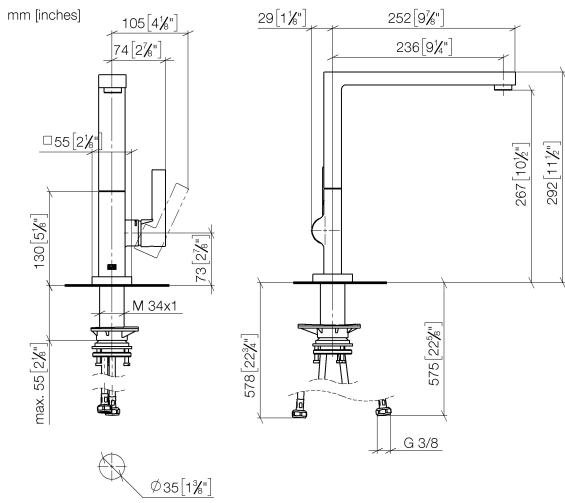


Recommended miscellaneous

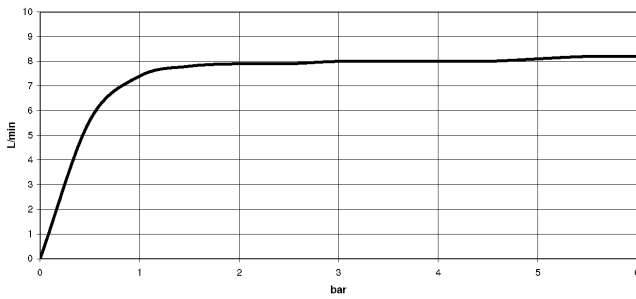
Strainer waste with control handle - Brushed Champagne (22kt Gold) 10 711 970-46



33 800 680



Flow rate chart



Codes & Standards

DIN 4109

ISO 3822

Ü-Zeichen



LOT Single-lever mixer - Brushed Champagne (22kt Gold)

LOT

33 800 680

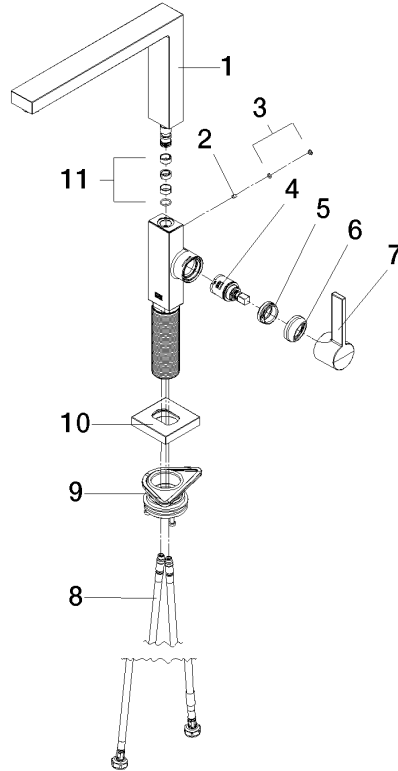
Certificates

LGA_38

33 800 680

Product version from 3/1/2023

Parts for other finishes can be found here: Chrome





LOT Single-lever mixer - Brushed Champagne (22kt Gold)

LOT

33 800 680

Spare parts list

Product version from 3/1/2023

No.	Item Number	Name	Quantity used	Delivery time
	90 11 06 218 00-46	spout	12	-

Spare part can no longer be ordered, please order the replacement item