

**MEM Single-lever mixer - Platinum**

MEM

33 800 682 Product version from 3/1/2023



- 201mm projection
- pivotable spout 360°
- Optional swivel limiter available with swivel limiter set 12 820 970 90
- air-enriched flow
- max. flow 6.3 l/min at 3 bar flow pressure
- lead-free
- This product can help a building meet the requirements of Green Building Rating Systems, e.g. LEED®, BREEAM®, DGNB
- WRAS

	Platinum	33 800 682-08
	Chrome	33 800 682-00
	Brushed Platinum	33 800 682-06
	Durabronze (23kt Gold)	33 800 682-09
	Dark Chrome	33 800 682-19
	Brushed Durabronze (23kt Gold)	33 800 682-28
	Matte Black	33 800 682-33
	Brushed Champagne (22kt Gold)	33 800 682-46
	Champagne (22kt Gold)	33 800 682-47
	Brushed Chrome	33 800 682-93
	Brushed Dark Platinum	33 800 682-99

**Recommended miscellaneous**

	<b>Swivel limitation set -</b>	12 820 970 90
---	--------------------------------	---------------

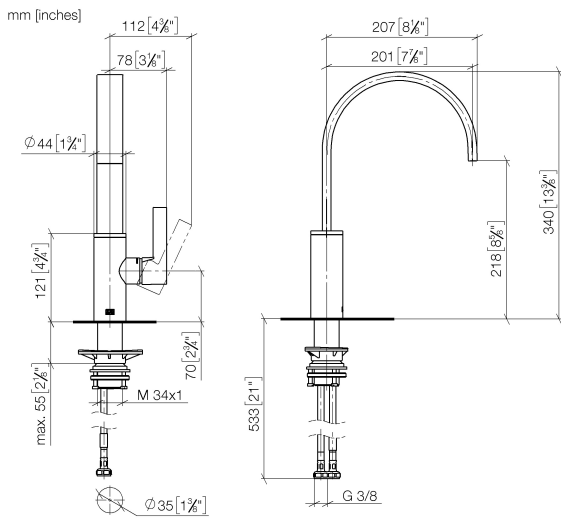
**Recommended miscellaneous**

	<b>Strainer waste with control handle - Platinum</b>	10 712 970-08
---	--	---------------

**Recommended miscellaneous**

	<b>Dispenser without rosette - Platinum</b>	82 424 970-08
---	---	---------------

33 800 682 Product version from 3/1/2023



**Flow rate chart**



**Codes & Standards**

DIN 4109

ISO 3822

Scottish Water  
Byelaws

UK Water Supply  
Regulations

**Ü-Zeichen**



## MEM Single-lever mixer - Platinum

---

MEM

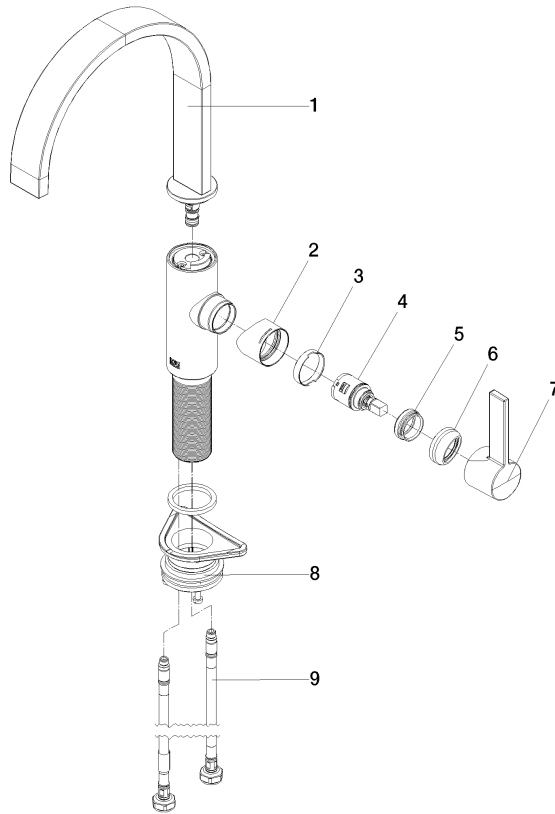
33 800 682 Product version from 3/1/2023

### Certificates

---

LGA\_38

WRAS\_240202



**Spare parts list**

No.	Item Number	Name	Quantity used	Delivery time
1	90 28 22 332 00-08	spout	1	-
Spare part can no longer be ordered, please order the replacement item				
2	09 19 86 012-08	cover	1	60
3	90 23 10 128 00 90	nut	1	2
4	90 15 05 042 00 90	cartridge	1	2
5	09 24 04 266 90	nut	1	2
6	90 28 30 052 00-08	cover	1	40
7	90 20 86 004 00-08	handle	1	40
8	04 23 10 044 08 90	fixing set	1	2
9	04 30 04 101 00 90	hose	2	2