

## MEM Single-lever mixer - Champagne (22kt Gold)

33 800 682 Product version from 3/1/2023



- 201mm projection
- pivotable spout 360°
- Optional swivel limiter available with swivel limiter set 12 820 970 90
- air-enriched flow
- max. flow 6.3 l/min at 3 bar flow pressure
- lead-free
- This product can help a building meet the requirements of Green Building Rating Systems, e.g. LEED®, BREEAM®, DGNB
- WRAS

	Champagne (22kt Gold)	33 800 682-47
	Chrome	33 800 682-00
	Brushed Platinum	33 800 682-06
	Platinum	33 800 682-08
	Durabronze (23kt Gold)	33 800 682-09
	Dark Chrome	33 800 682-19
	Brushed Durabronze (23kt Gold)	33 800 682-28
	Matte Black	33 800 682-33
	Brushed Champagne (22kt Gold)	33 800 682-46
	Brushed Chrome	33 800 682-93
	Brushed Dark Platinum	33 800 682-99

### Recommended miscellaneous

**Swivel limitation set -** 12 820 970 90



### Recommended miscellaneous

**Dispenser without rosette - Champagne (22kt Gold)** 82 424 970-47



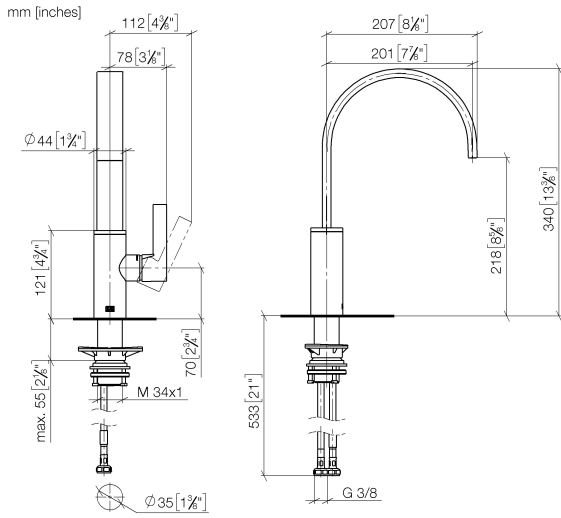
### Recommended miscellaneous

**Strainer waste with control handle - Champagne (22kt Gold)** 10 712 970-47

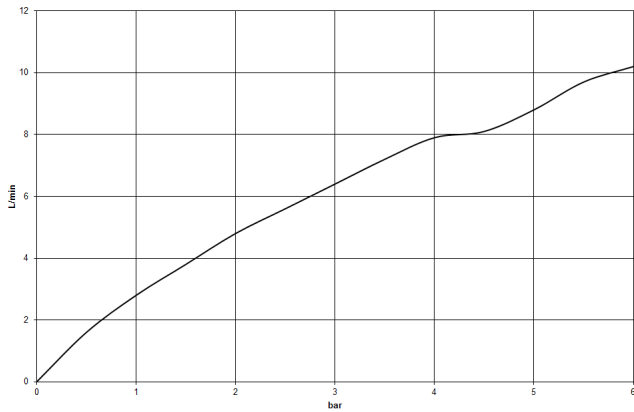


**MEM Single-lever mixer - Champagne (22kt Gold)**

33 800 682 Product version from 3/1/2023



**Flow rate chart**



**Codes & Standards**

DIN 4109

ISO 3822

Scottish Water  
Byelaws

UK Water Supply  
Regulations

**Ü-Zeichen**



## MEM Single-lever mixer - Champagne (22kt Gold)

---

33 800 682 Product version from 3/1/2023

### Certificates

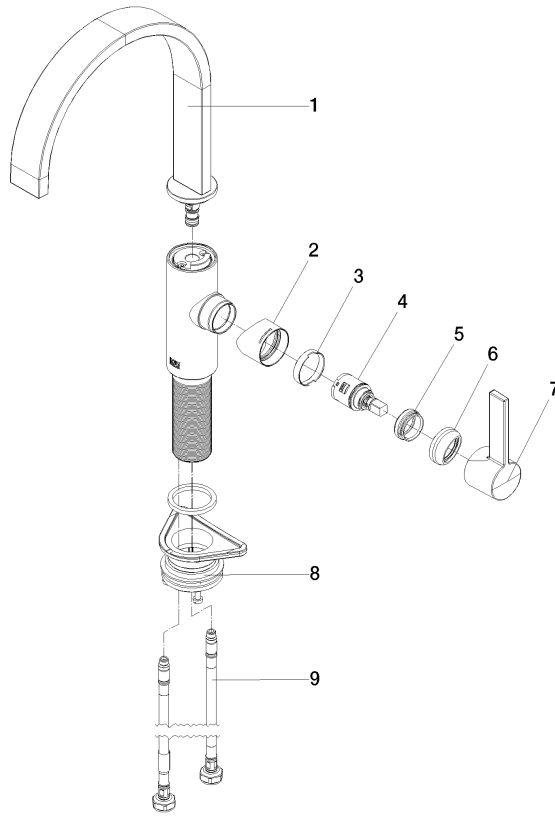
---

LGA\_38

WRAS\_240202

**MEM Single-lever mixer - Champagne (22kt Gold)**

33 800 682 Product version from 3/1/2023



**Spare parts list**

No.	Item Number	Name	Quantity used	Delivery time
1	90 28 22 332 00-47	spout	1	-
Spare part can no longer be ordered, please order the replacement item				
2	09 19 86 012-47	cover	1	60
3	90 23 10 128 00 90	nut	1	2
4	90 15 05 042 00 90	cartridge	1	2
5	09 24 04 266 90	nut	1	2
6	90 28 30 052 00-47	cover	1	30
7	90 20 86 004 00-47	handle	1	30
8	04 23 10 044 08 90	fixing set	1	2
9	04 30 04 101 00 90	hose	2	2