

TARA ULTRA Single-lever mixer - Platinum

33 800 875 Product version from 6/1/2022



- 201mm projection
- pivotable spout 360°
- air-enriched flow
- height of mixer 373 mm
- height up to aerator 240 mm
- hole diameter 35 mm
- max. flow 8 l/min at 3 bar flow pressure
- lead-free
- This product can help a building meet the requirements of Green Building Rating Systems, e.g. LEED®, BREEAM®, DGNB
- WRAS

| | | |
|--|--------------------------------|---------------|
|  | Platinum | 33 800 875-08 |
|  | Chrome | 33 800 875-00 |
|  | Brushed Platinum | 33 800 875-06 |
|  | Durabronze (23kt Gold) | 33 800 875-09 |
|  | Dark Chrome | 33 800 875-19 |
|  | Brushed Durabronze (23kt Gold) | 33 800 875-28 |
|  | Matte Black | 33 800 875-33 |
|  | Brushed Champagne (22kt Gold) | 33 800 875-46 |
|  | Champagne (22kt Gold) | 33 800 875-47 |
|  | Brushed Chrome | 33 800 875-93 |
|  | Brushed Dark Platinum | 33 800 875-99 |

Recommended miscellaneous

Strainer waste with control handle - Platinum 10 712 970-08



Recommended miscellaneous

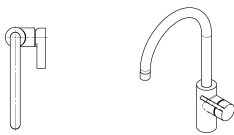
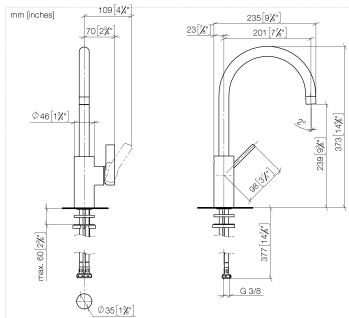
Dispenser without rosette - Platinum 82 424 970-08





TARA ULTRA Single-lever mixer - Platinum

33 800 875 Product version from 6/1/2022



Flow rate chart



Codes & Standards

| | | | |
|---------------------------|--------------------------------|-----------------------------|------------|
| DIN 4109 | EN 817 | Executive Order no. 1007 | ISO 3822 |
| Scottish Water Byelaws | UK Water Supply Regulations | Ü-Zeichen | VA-Zeichen |



TARA ULTRA Single-lever mixer - Platinum

33 800 875 Product version from 6/1/2022

Certificates

GDV_0400

LGA_18

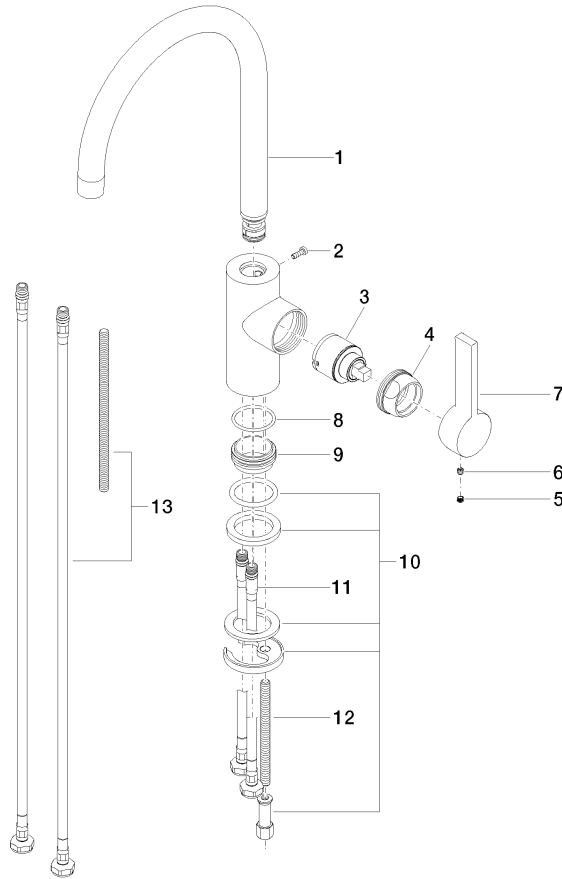
WRAS_2101

ETA_18

TARA ULTRA Single-lever mixer - Platinum

33 800 875 Product version from 6/1/2022

Parts for other finishes can be found here: [Chrome](#)



Spare parts list

| No. | Item Number | Name | Quantity used | Delivery time |
|-----|--------------------|------------|---------------|---------------|
| 1 | 90 28 22 204 02-08 | spout | 1 | 40 |
| 2 | 09 30 30 080 90 | screw | 1 | 2 |
| 3 | 90 15 05 045 00 90 | cartridge | 1 | 2 |
| 4 | 09 24 04 107-08 | nut | 1 | 40 |
| 5 | 90 31 20 109 00 90 | plug | 1 | 2 |
| 6 | 90 31 11 030 00 90 | pin | 1 | 2 |
| 7 | 09 20 79 040-08 | handle | 1 | 40 |
| 8 | 09 14 10 119 90 | seal | 1 | 2 |
| 9 | 09 28 10 109-07 | ring | 1 | 30 |
| 10 | 04 30 11 085 88 90 | fixing set | 1 | 2 |
| 11 | 04 30 04 104 00 90 | hose | 2 | 2 |
| 12 | 09 31 11 012 90 | pin | 1 | 2 |
| 13 | 12 803 970 90 | extension | 1 | 60 |