

VAIA BAR TAP Single-lever mixer - Brushed Chrome

VAIA

33 805 809



- 167mm projection
- pivotable spout 360°
- air-enriched flow
- max. flow 7 l/min at 3 bar flow pressure
- lead-free
- This product can help a building meet the requirements of Green Building Rating Systems, e.g. LEED®, BREEAM®, DGNB

	Brushed Chrome	33 805 809-93
	Chrome	33 805 809-00
	Brushed Platinum	33 805 809-06
	Platinum	33 805 809-08
	Durabress (23kt Gold)	33 805 809-09
	Dark Chrome	33 805 809-19
	Brushed Durabress (23kt Gold)	33 805 809-28
	Matte Black	33 805 809-33
	Brushed Champagne (22kt Gold)	33 805 809-46
	Champagne (22kt Gold)	33 805 809-47
	Brushed Dark Platinum	33 805 809-99

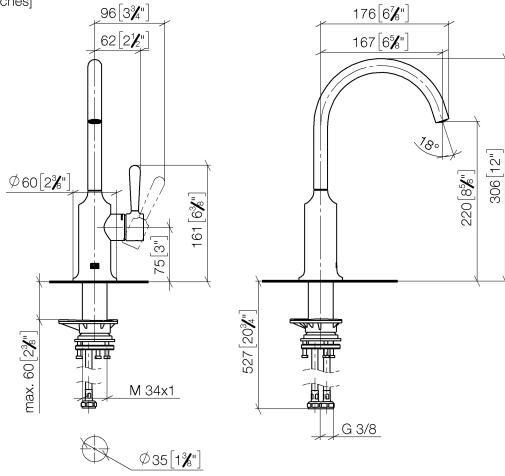
Recommended miscellaneous

VAIA Dispenser with rosette - 82 434 809-93
Brushed Chrome

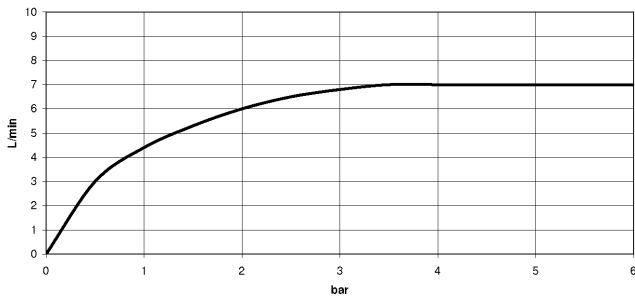


33 805 809

mm [inches]



Flow rate chart



Codes & Standards

DIN 4109

ISO 3822

Scottish Water
Byelaws

UK Water Supply
Regulations

Ü-Zeichen



VAIA BAR TAP Single-lever mixer - Brushed Chrome

VAIA

33 805 809

Certificates

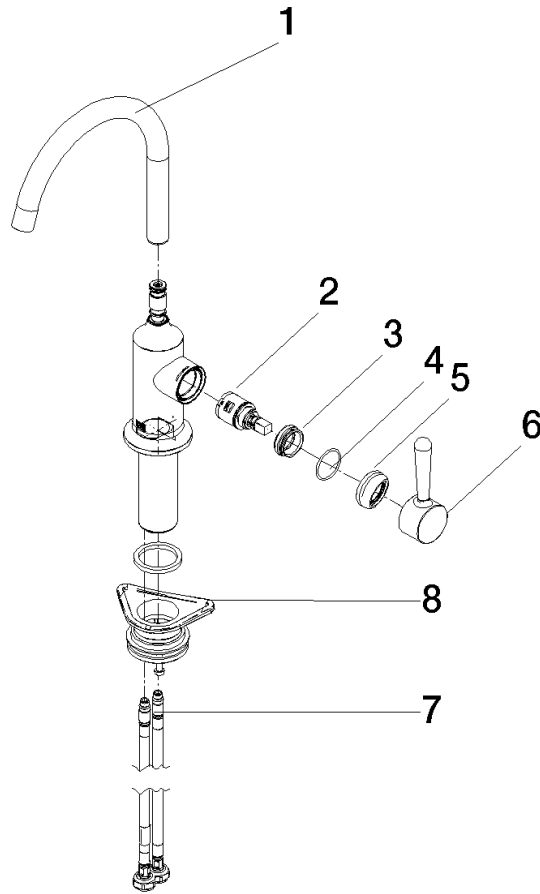
LGA_29

WRAS_240602

33 805 809

Product version from 7/1/2023

Parts for other finishes can be found here: Chrome





VAIA BAR TAP Single-lever mixer - Brushed Chrome

VAIA

33 805 809

Spare parts list

Product version from 7/1/2023

No.	Item Number	Name	Quantity used	Delivery time
	90 28 22 311 02-93	spout	9	-

Spare part can no longer be ordered, please order the replacement item