



# META SQUARE BAR TAP Single-lever mixer - Brushed Champagne (22kt Gold)

META SQUARE

33 805 861



- 166mm projection
- pivotable spout 360°
- Optional swivel limiter available with swivel limiter set 12 820 970 90
- air-enriched flow
- max. flow 8 l/min at 3 bar flow pressure
- lead-free
- This product can help a building meet the requirements of Green Building Rating Systems, e.g. LEED®, BREEAM®, DGNB
- WRAS 240102021

|  |                               |               |
|--|-------------------------------|---------------|
|  | Brushed Champagne (22kt Gold) | 33 805 861-46 |
|  | Chrome                        | 33 805 861-00 |
|  | Brushed Platinum              | 33 805 861-06 |
|  | Platinum                      | 33 805 861-08 |
|  | Durabrand (23kt Gold)         | 33 805 861-09 |
|  | Dark Chrome                   | 33 805 861-19 |
|  | Brushed Durabrand (23kt Gold) | 33 805 861-28 |
|  | Matte Black                   | 33 805 861-33 |
|  | Champagne (22kt Gold)         | 33 805 861-47 |
|  | Brushed Chrome                | 33 805 861-93 |
|  | Brushed Dark Platinum         | 33 805 861-99 |

## Recommended miscellaneous



**Swivel limitation set -** 12 820 970 90

## Recommended miscellaneous



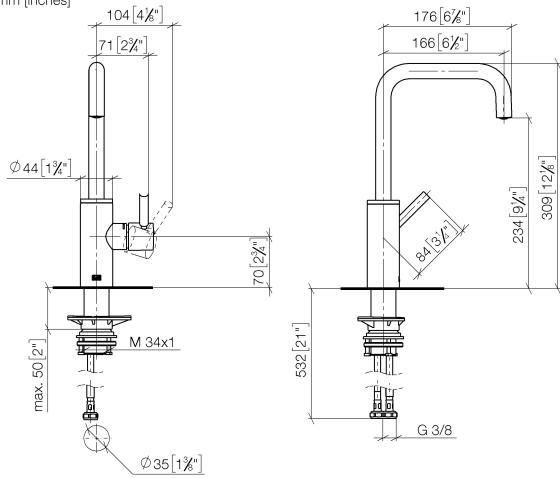
**Dispenser without rosette -  
Brushed Champagne (22kt Gold)** 82 424 970-46

## Recommended miscellaneous

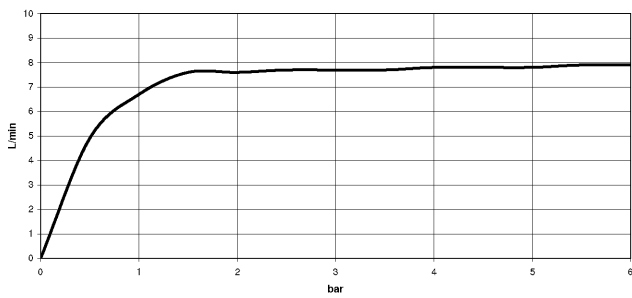


**Strainer waste with control handle  
- Brushed Champagne (22kt Gold)** 10 712 970-46

33 805 861  
mm [inches]



**Flow rate chart**



**Codes & Standards**

DIN 4109

ISO 3822

Scottish Water  
Byelaws

UK Water Supply  
Regulations

**Ü-Zeichen**



META SQUARE BAR TAP Single-lever mixer - Brushed Champagne (22kt Gold)

META SQUARE

---

33 805 861  
Certificates

---

LGA\_38

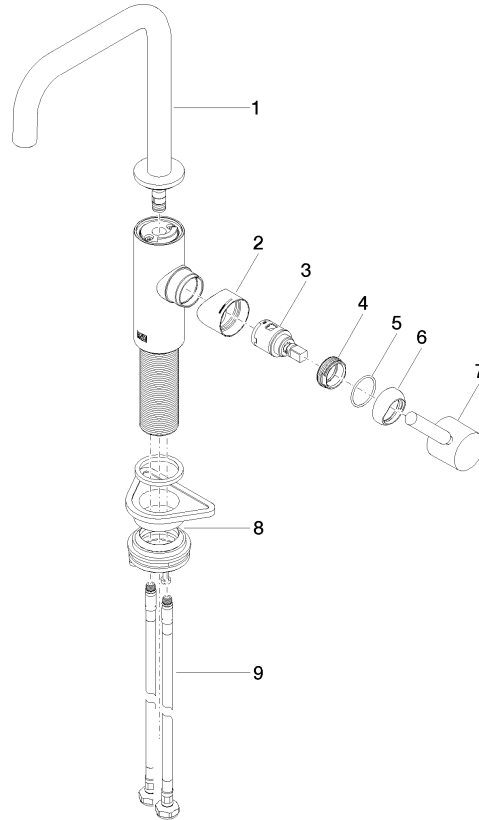
WRAS\_240102



META SQUARE BAR TAP Single-lever mixer - Brushed Champagne (22kt Gold)

META SQUARE

33 805 861





**META SQUARE BAR TAP Single-lever mixer - Brushed Champagne (22kt Gold)**

META SQUARE

33 805 861

**Spare parts list**

| No. | Item Number        | Name  | Quantity used | Delivery time |
|-----|--------------------|-------|---------------|---------------|
|     | 90 28 22 285 00-46 | spout | 10            | -             |

Spare part can no longer be ordered, please order the replacement item