

**META SQUARE BAR TAP Single-lever mixer - Brushed Dark Platinum**

33 805 861



- 166mm projection
- pivotable spout 360°
- Optional swivel limiter available with swivel limiter set 12 820 970 90
- air-enriched flow
- max. flow 8 l/min at 3 bar flow pressure
- lead-free
- This product can help a building meet the requirements of Green Building Rating Systems, e.g. LEED®, BREEAM®, DGNB
- WRAS

	Brushed Dark Platinum	33 805 861-99
	Chrome	33 805 861-00
	Brushed Platinum	33 805 861-06
	Platinum	33 805 861-08
	Durabronze (23kt Gold)	33 805 861-09
	Dark Chrome	33 805 861-19
	Brushed Durabronze (23kt Gold)	33 805 861-28
	Matte Black	33 805 861-33
	Brushed Champagne (22kt Gold)	33 805 861-46
	Champagne (22kt Gold)	33 805 861-47
	Brushed Chrome	33 805 861-93

**Recommended miscellaneous**



**Swivel limitation set -** 12 820 970 90

**Recommended miscellaneous**



**Strainer waste with control handle - Brushed Dark Platinum** 10 712 970-99

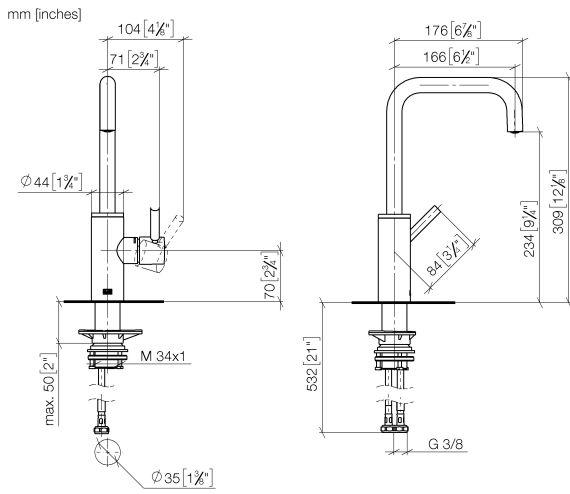
**Recommended miscellaneous**



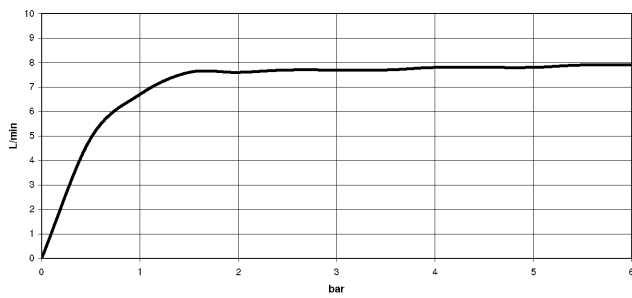
**Dispenser without rosette - Brushed Dark Platinum** 82 424 970-99

**META SQUARE BAR TAP Single-lever mixer - Brushed Dark Platinum**

33 805 861



**Flow rate chart**



**Codes & Standards**

DIN 4109

ISO 3822

Scottish Water  
Byelaws

UK Water Supply  
Regulations

**Ü-Zeichen**



## META SQUARE BAR TAP Single-lever mixer - Brushed Dark Platinum

---

33 805 861

### Certificates

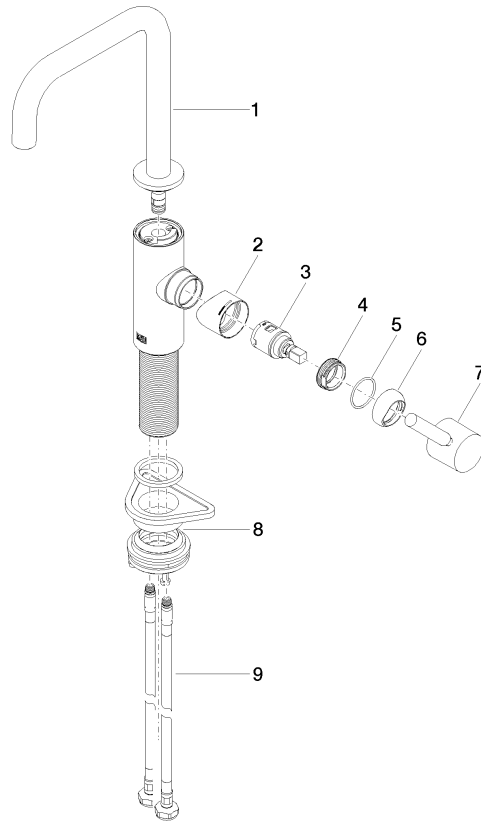
---

LGA\_38

WRAS\_240102

**META SQUARE BAR TAP Single-lever mixer - Brushed Dark Platinum**

33 805 861



**Spare parts list**

No.	Item Number	Name	Quantity used	Delivery time
1	90 28 22 285 00-99	spout	1	20
2	09 19 86 012-99	cover	1	60
3	90 15 05 042 00 90	cartridge	1	2
4	09 24 04 266 90	nut	1	2
5	09 14 10 091 90	seal	1	2
6	90 28 30 052 00-99	cover	1	20
7	90 20 66 003 00-99	handle	1	20
8	04 23 10 044 08 90	fixing set	1	2
9	04 30 04 101 00 90	hose	2	2