

33 805 888



- 166mm projection
- pivotable spout 360°
- laminar flow
- height of mixer 302 mm
- height up to laminar flow regulator 185 mm
- hole diameter 35 mm
- max. flow 8.3 l/min at 3 bar flow pressure
- lead-free
- This product can help a building meet the requirements of Green Building Rating Systems, e.g. LEED®, BREEAM®, DGNB
- WRAS 240102012

| | | |
|--|-------------------------------|---------------|
|  | Durabron (23kt Gold) | 33 805 888-09 |
|  | Chrome | 33 805 888-00 |
|  | Brushed Platinum | 33 805 888-06 |
|  | Platinum | 33 805 888-08 |
|  | Dark Chrome | 33 805 888-19 |
|  | Brushed Durabron (23kt Gold) | 33 805 888-28 |
|  | Matte Black | 33 805 888-33 |
|  | Brushed Champagne (22kt Gold) | 33 805 888-46 |
|  | Champagne (22kt Gold) | 33 805 888-47 |
|  | Brushed Chrome | 33 805 888-93 |
|  | Brushed Dark Platinum | 33 805 888-99 |

Recommended miscellaneous

Strainer waste with control handle - Durabron (23kt Gold) 10 710 970-09



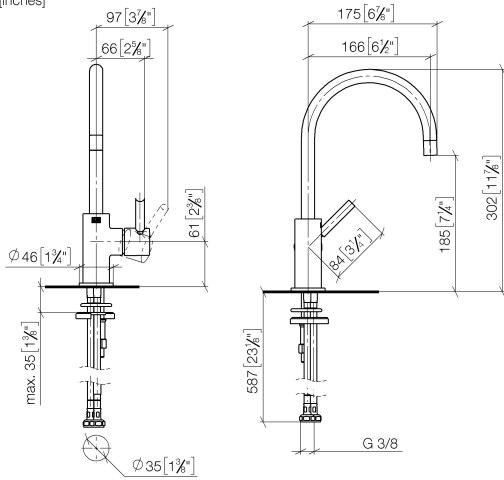
Recommended miscellaneous

Dispenser with rosette - Durabron (23kt Gold) 82 444 970-09



33 805 888

mm [inches]



Flow rate chart



Codes & Standards

DIN 4109

ISO 3822

Scottish Water
Byelaws

UK Water Supply
Regulations

Ü-Zeichen



TARA BAR TAP Single-lever mixer - Durabronss (23kt Gold)

TARA

33 805 888

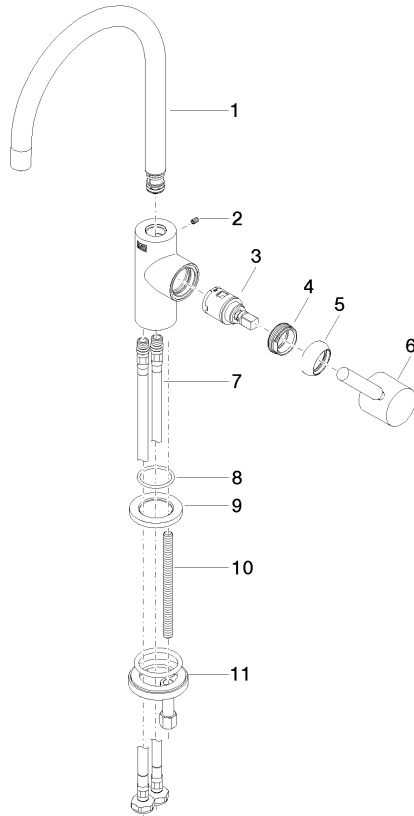
Certificates

WRAS_240102

LGA_38

33 805 888

Parts for other
finishes can be found
here: [Chrome](#)





TARA BAR TAP Single-lever mixer - Durabronss (23kt Gold)

TARA

33 805 888

Spare parts list

| No. | Item Number | Name | Quantity used | Delivery time |
|-----|--------------------|-------|---------------|---------------|
| | 90 28 22 393 00-09 | spout | 12 | - |

Spare part can no longer be ordered, please order the replacement item