


33 805 888



- 166mm projection
- pivotable spout 360°
- laminar flow
- height of mixer 302 mm
- height up to laminar flow regulator 185 mm
- hole diameter 35 mm
- max. flow 8.3 l/min at 3 bar flow pressure
- lead-free
- This product can help a building meet the requirements of Green Building Rating Systems, e.g. LEED®, BREEAM®, DGNB
- WRAS 240102012

	Brushed Dark Platinum	33 805 888-99
	Chrome	33 805 888-00
	Brushed Platinum	33 805 888-06
	Platinum	33 805 888-08
	Durabronze (23kt Gold)	33 805 888-09
	Dark Chrome	33 805 888-19
	Brushed Durabronze (23kt Gold)	33 805 888-28
	Matte Black	33 805 888-33
	Brushed Champagne (22kt Gold)	33 805 888-46
	Champagne (22kt Gold)	33 805 888-47
	Brushed Chrome	33 805 888-93

Recommended miscellaneous

Strainer waste with control handle - Brushed Dark Platinum 10 710 970-99



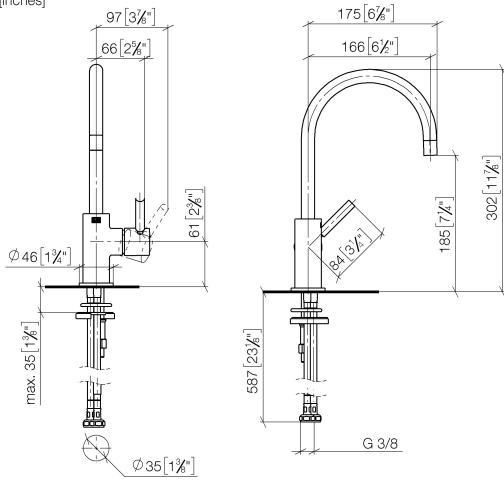
Recommended miscellaneous

Dispenser with rosette - Brushed Dark Platinum 82 444 970-99

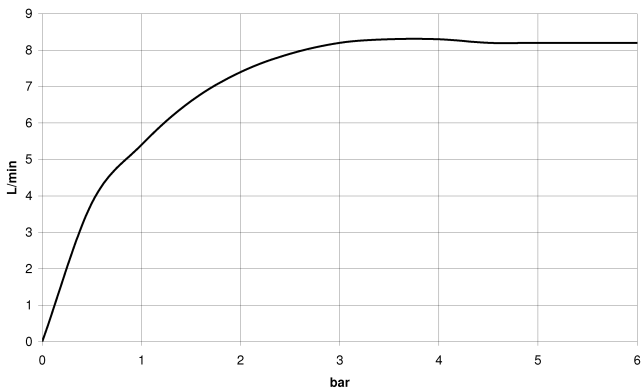


33 805 888

mm [inches]



Flow rate chart



Codes & Standards

DIN 4109

ISO 3822

Scottish Water
Byelaws

UK Water Supply
Regulations

Ü-Zeichen



TARA BAR TAP Single-lever mixer - Brushed Dark Platinum

TARA

33 805 888

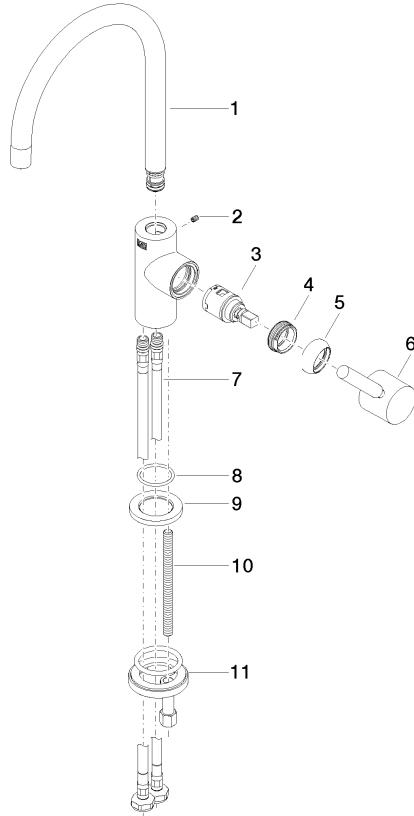
Certificates

WRAS_240102

LGA_38

33 805 888

Parts for other
finishes can be found
here: [Chrome](#)





TARA BAR TAP Single-lever mixer - Brushed Dark Platinum

TARA

33 805 888

Spare parts list

No.	Item Number	Name	Quantity used	Delivery time
	90 28 22 393 00-99	spout	12	-

Spare part can no longer be ordered, please order the replacement item