

MEM Single-lever mixer - Brushed Durabron (23kt Gold)

MEM


33 815 682




- 241mm projection
- pivotable spout 360°
- Optional swivel limiter available with swivel limiter set 12 820 970 90
- air-enriched flow
- max. flow 6.3 l/min at 3 bar flow pressure
- lead-free
- This product can help a building meet the requirements of Green Building Rating Systems, e.g. LEED®, BREEAM®, DGNB
- WRAS 240202021

| | | |
|--|-------------------------------|---------------|
|  | Brushed Durabron (23kt Gold) | 33 815 682-28 |
|  | Chrome | 33 815 682-00 |
|  | Brushed Platinum | 33 815 682-06 |
|  | Platinum | 33 815 682-08 |
|  | Durabron (23kt Gold) | 33 815 682-09 |
|  | Dark Chrome | 33 815 682-19 |
|  | Matte Black | 33 815 682-33 |
|  | Brushed Champagne (22kt Gold) | 33 815 682-46 |
|  | Champagne (22kt Gold) | 33 815 682-47 |
|  | Brushed Chrome | 33 815 682-93 |
|  | Brushed Dark Platinum | 33 815 682-99 |


Recommended miscellaneous

| | | |
|---|--------------------------------|---------------|
|  | Swivel limitation set - | 12 820 970 90 |
|---|--------------------------------|---------------|

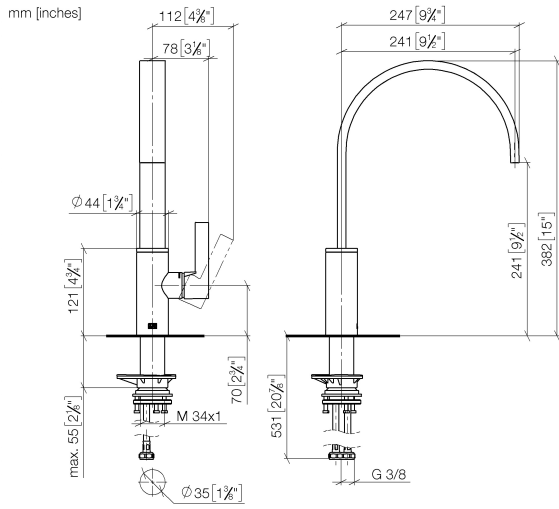
Recommended miscellaneous

| | | |
|---|--|---------------|
|  | Strainer waste with control handle - Brushed Durabron (23kt Gold) | 10 712 970-28 |
|---|--|---------------|

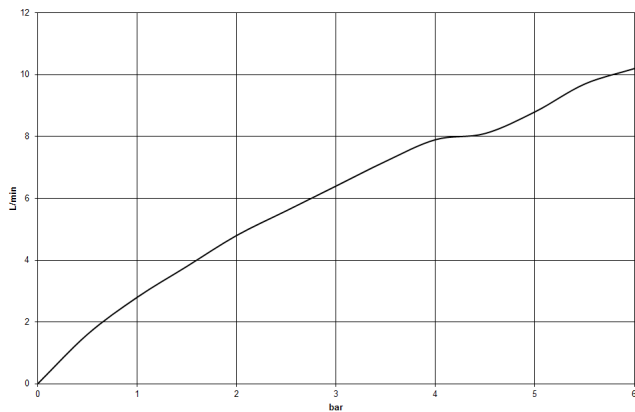
Recommended miscellaneous

| | | |
|---|---|---------------|
|  | Dispenser without rosette - Brushed Durabron (23kt Gold) | 82 424 970-28 |
|---|---|---------------|

33 815 682



Flow rate chart



Codes & Standards

DIN 4109

ISO 3822

Scottish Water
Byelaws

UK Water Supply
Regulations

Ü-Zeichen



MEM Single-lever mixer - Brushed Durabronz (23kt Gold)

MEM

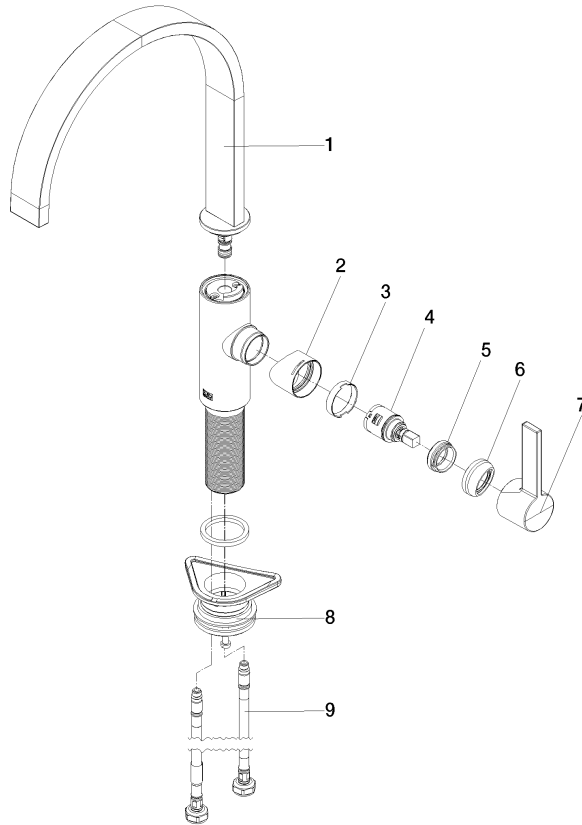
33 815 682

Certificates

WRAS_240202 LGA_38

33 815 682

Product version from 3/1/2023





MEM Single-lever mixer - Brushed Durabrass (23kt Gold)

MEM

33 815 682

Spare parts list

Product version from 3/1/2023

| No. | Item Number | Name | Quantity used | Delivery time |
|-----|--------------------|-------|---------------|---------------|
| | 90 28 22 333 00-28 | spout | 10 | - |

Spare part can no longer be ordered, please order the replacement item