

33 815 888



- 236mm projection
- pivotable spout 360°
- air-enriched flow
- height of mixer 400 mm
- height up to aerator 230 mm
- hole diameter 35 mm
- max. flow 7 l/min at 3 bar flow pressure
- lead-free
- WRAS 2311044
- This product can help a building meet the requirements of Green Building Rating Systems, e.g. LEED®, BREEAM®, DGNB

|  |                                |               |
|--|--------------------------------|---------------|
|    | Platinum                       | 33 815 888-08 |
|    | Chrome                         | 33 815 888-00 |
|    | Brushed Platinum               | 33 815 888-06 |
|    | Durabronze (23kt Gold)         | 33 815 888-09 |
|    | Dark Chrome                    | 33 815 888-19 |
|    | Brushed Durabronze (23kt Gold) | 33 815 888-28 |
|    | Matte Black                    | 33 815 888-33 |
|    | Brushed Champagne (22kt Gold)  | 33 815 888-46 |
|    | Champagne (22kt Gold)          | 33 815 888-47 |
|   | Brushed Chrome                 | 33 815 888-93 |
|  | Brushed Dark Platinum          | 33 815 888-99 |

**Recommended miscellaneous**

**Strainer waste with control handle - Platinum** 10 710 970-08

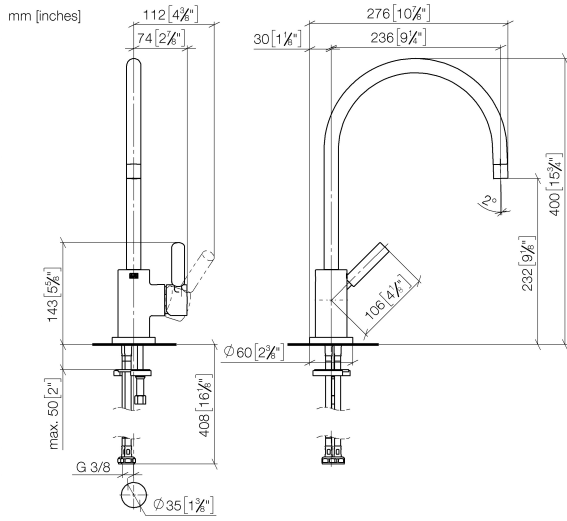


**Recommended miscellaneous**

**Dispenser with rosette - Platinum** 82 444 970-08



33 815 888



**Flow rate chart**



**Codes & Standards**

DIN 4109

EN 817

Executive Order  
no. 1007

ISO 3822

Scottish Water  
Byelaws

UK Water Supply  
Regulations

Ü-Zeichen

VA-Zeichen



# TARA Single-lever mixer - Platinum

TARA

33 815 888

## Certificates

GDV\_0400

ETA\_18

LGA\_8

WRAS\_2311

33 815 888

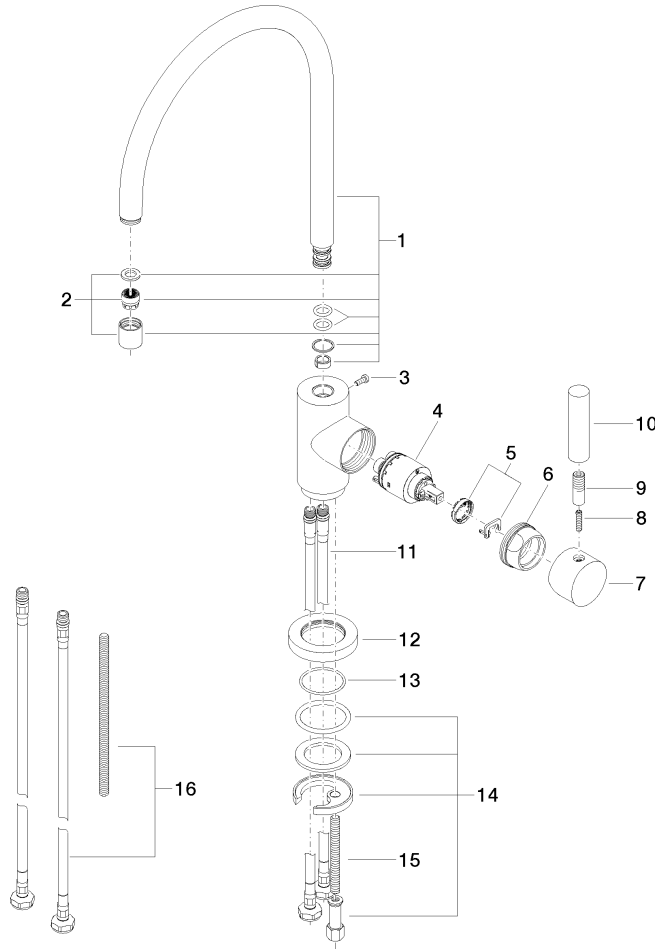
Product version up to 5/31/2010

Product version from 5/31/2010 to 10/27/2020

Product version from 10/27/2020 to 9/7/2021

**Product version from 9/7/2021**

Parts for other finishes can be found here: [Chrome](#)





## TARA Single-lever mixer - Platinum

TARA

33 815 888

### Spare parts list

Product version up to 5/31/2010

Product version from 5/31/2010 to 10/27/2020

Product version from 10/27/2020 to 9/7/2021

### **Product version from 9/7/2021**

| No. | Item Number        | Name  | Quantity used | Delivery time |
|-----|--------------------|-------|---------------|---------------|
|     | 90 28 22 049 02-08 | spout | 17            | 40            |