

TARA Single-lever mixer - Brushed Chrome

TARA

33 815 888



- 236mm projection
- pivotable spout 360°
- air-enriched flow
- height of mixer 400 mm
- height up to aerator 230 mm
- hole diameter 35 mm
- max. flow 7 l/min at 3 bar flow pressure
- lead-free
- WRAS 2311044
- This product can help a building meet the requirements of Green Building Rating Systems, e.g. LEED®, BREEAM®, DGNB

	Brushed Chrome	33 815 888-93
	Chrome	33 815 888-00
	Brushed Platinum	33 815 888-06
	Platinum	33 815 888-08
	Durabrass (23kt Gold)	33 815 888-09
	Dark Chrome	33 815 888-19
	Brushed Durabrass (23kt Gold)	33 815 888-28
	Matte Black	33 815 888-33
	Brushed Champagne (22kt Gold)	33 815 888-46
	Champagne (22kt Gold)	33 815 888-47
	Brushed Dark Platinum	33 815 888-99

Recommended miscellaneous

Strainer waste with control handle - Brushed Chrome 10 710 970-93

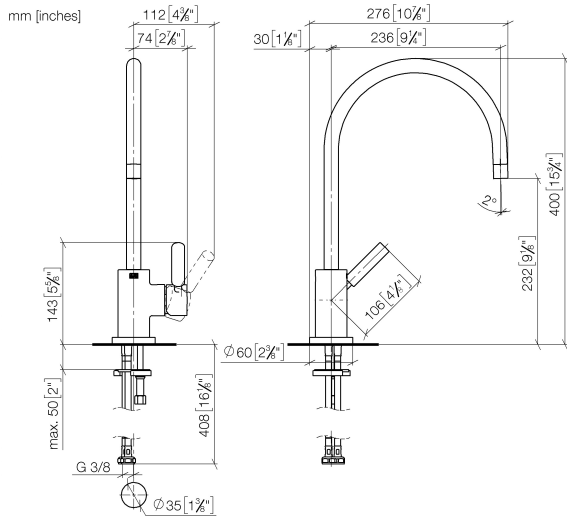


Recommended miscellaneous

Dispenser with rosette - Brushed Chrome 82 444 970-93



33 815 888



Flow rate chart



Codes & Standards

Executive Order
no. 1007

Scottish Water
Byelaws

UK Water Supply
Regulations



TARA Single-lever mixer - Brushed Chrome

TARA

33 815 888

Certificates

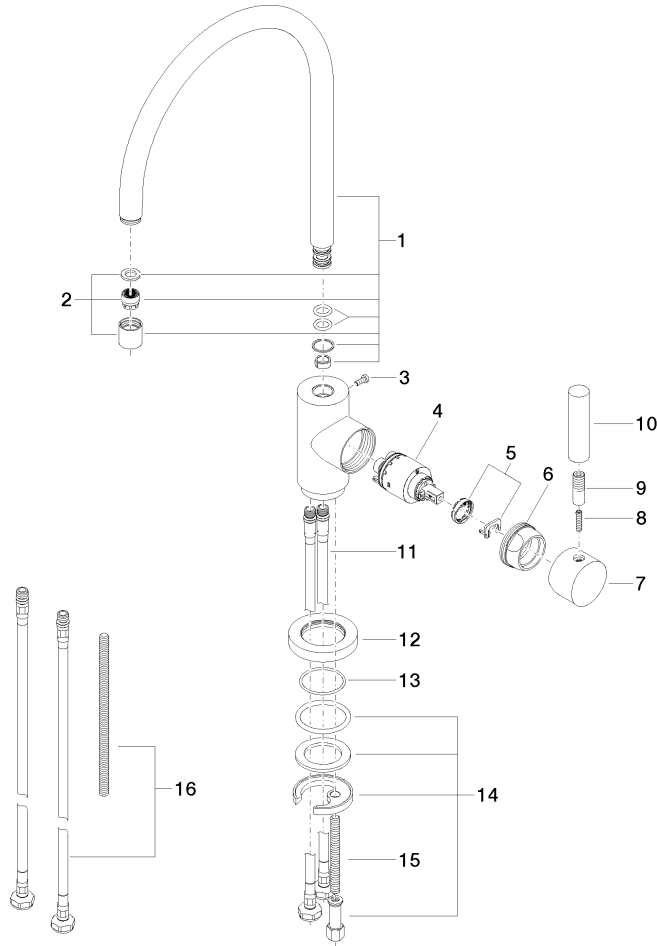
GDV_0400

WRAS_2311

33 815 888

Product version from 9/7/2021

Parts for other finishes can be found here: [Chrome](#)





TARA Single-lever mixer - Brushed Chrome

TARA

33 815 888

Spare parts list

Product version from 9/7/2021

No.	Item Number	Name	Quantity used	Delivery time
	90 28 22 049 02-93	spout	17	20