

**VAIA Single-lever mixer - Brushed Platinum**

VAIA

33 816 809



- 241mm projection
- pivotable spout 360°
- air-enriched flow
- max. flow 7 l/min at 3 bar flow pressure
- lead-free
- This product can help a building meet the requirements of Green Building Rating Systems, e.g. LEED®, BREEAM®, DGNB

	Brushed Platinum	33 816 809-06
	Chrome	33 816 809-00
	Platinum	33 816 809-08
	Durabronze (23kt Gold)	33 816 809-09
	Dark Chrome	33 816 809-19
	Brushed Durabronze (23kt Gold)	33 816 809-28
	Matte Black	33 816 809-33
	Brushed Champagne (22kt Gold)	33 816 809-46
	Champagne (22kt Gold)	33 816 809-47
	Brushed Chrome	33 816 809-93
	Brushed Dark Platinum	33 816 809-99

**Recommended miscellaneous**

**VAIA Dispenser with rosette -  
Brushed Platinum**      82 434 809-06



33 816 809



Flow rate chart



Codes & Standards

DIN 4109

ISO 3822

Scottish Water  
Byelaws

UK Water Supply  
Regulations

Ü-Zeichen



## VAIA Single-lever mixer - Brushed Platinum

---

VAIA

33 816 809

### Certificates

---

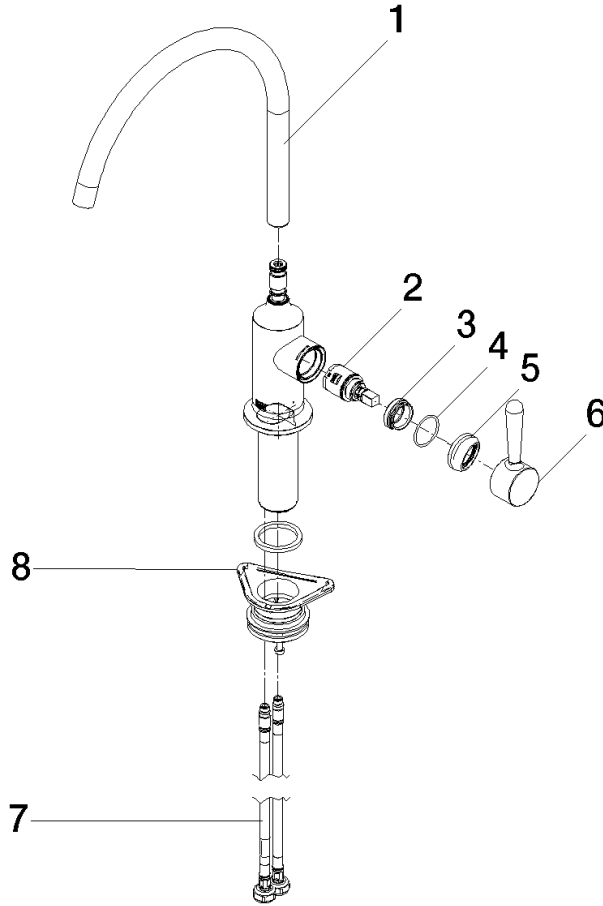
LGA\_29

WRAS\_240602

33 816 809

**Product version from 7/1/2023**

Parts for other finishes can be found here: [Chrome](#)





# VAIA Single-lever mixer - Brushed Platinum

VAIA

33 816 809

## Spare parts list

### Product version from 7/1/2023

No.	Item Number	Name	Quantity used	Delivery time
	90 28 22 396 00-06	spout	9	10