

33 816 809



- 241mm projection
- pivotable spout 360°
- air-enriched flow
- max. flow 7 l/min at 3 bar flow pressure
- lead-free
- This product can help a building meet the requirements of Green Building Rating Systems, e.g. LEED®, BREEAM®, DGNB

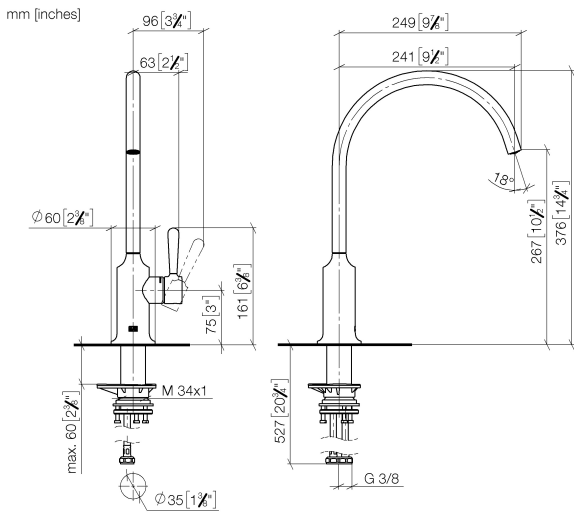
| | | |
|--|-------------------------------|---------------|
|  | Brushed Chrome | 33 816 809-93 |
|  | Chrome | 33 816 809-00 |
|  | Brushed Platinum | 33 816 809-06 |
|  | Platinum | 33 816 809-08 |
|  | Durabress (23kt Gold) | 33 816 809-09 |
|  | Dark Chrome | 33 816 809-19 |
|  | Brushed Durabress (23kt Gold) | 33 816 809-28 |
|  | Matte Black | 33 816 809-33 |
|  | Brushed Champagne (22kt Gold) | 33 816 809-46 |
|  | Champagne (22kt Gold) | 33 816 809-47 |
|  | Brushed Dark Platinum | 33 816 809-99 |

Recommended miscellaneous

VAIA Dispenser with rosette - 82 434 809-93
Brushed Chrome



33 816 809



Flow rate chart



Codes & Standards

DIN 4109

ISO 3822

Scottish Water
Byelaws

UK Water Supply
Regulations

Ü-Zeichen



VAIA Single-lever mixer - Brushed Chrome

VAIA

33 816 809

Certificates

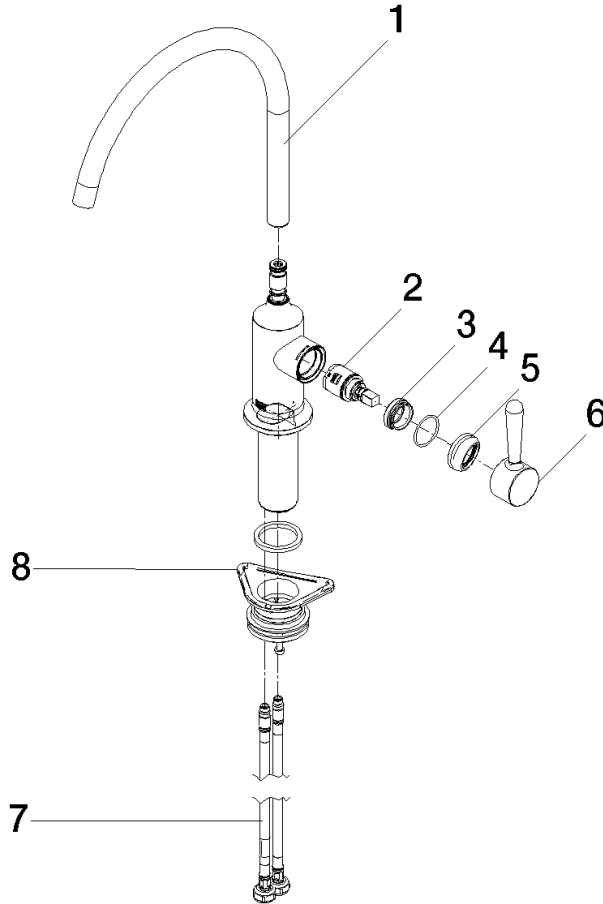
LGA_29

WRAS_240602

33 816 809

Product version from 7/1/2023

Parts for other finishes can be found here: [Chrome](#)





VAIA Single-lever mixer - Brushed Chrome

VAIA

33 816 809

Spare parts list

Product version from 7/1/2023

| No. | Item Number | Name | Quantity used | Delivery time |
|-----|--------------------|-------|---------------|---------------|
| | 90 28 22 396 00-93 | spout | 9 | 20 |