

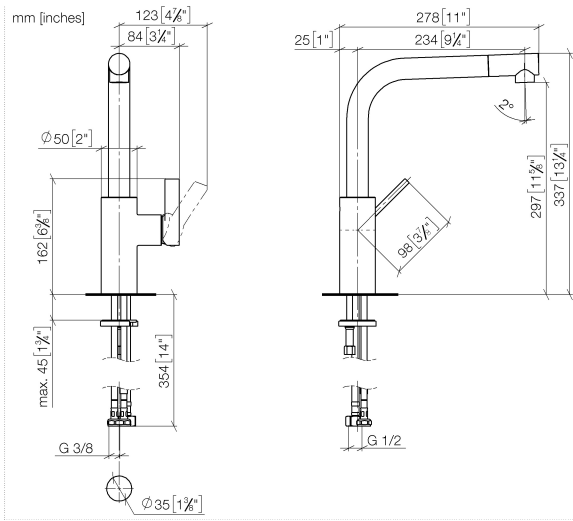
33 826 790



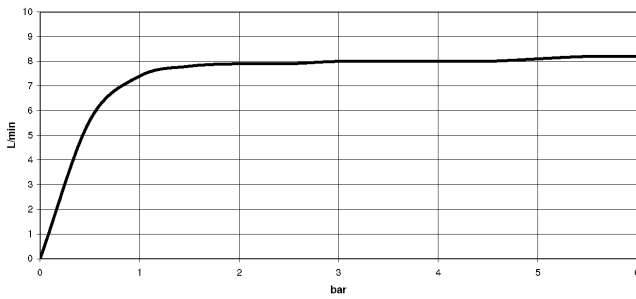
- 234mm projection
- pivotable spout 360°
- spout, end-piece with 20° rotation
- air-enriched flow
- height of mixer 337 mm
- height up to aerator 297 mm
- single-lever mixer hole diameter 35mm
- max. flow 8 l/min at 3 bar flow pressure
- lead-free
- This product can help a building meet the requirements of Green Building Rating Systems, e.g. LEED®, BREEAM®, DGNB

Single-lever mixer for combining with rinsing/Profi spray only

33 826 790



Flow rate chart



Codes & Standards

Executive Order
no. 1007



ELIO Single-lever mixer for rinsing/Profi spray - Brushed Chrome

ELIO

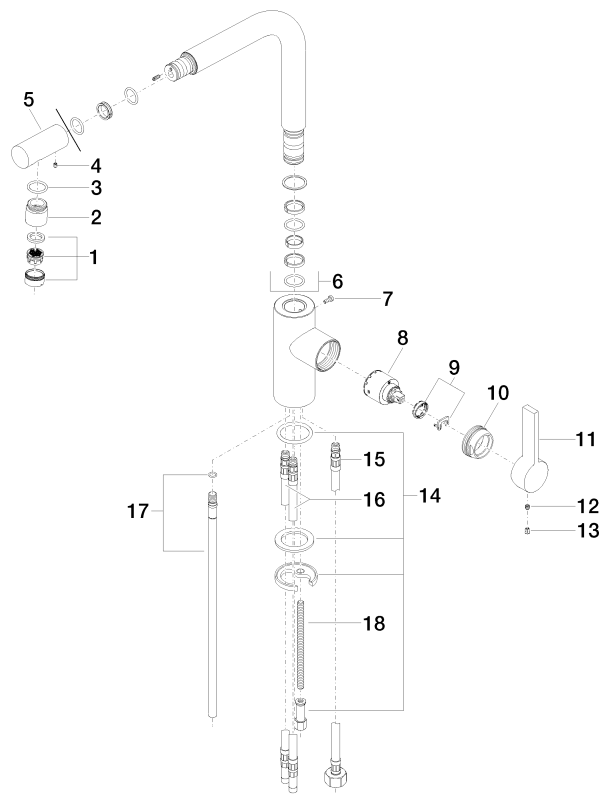
33 826 790

Certificates

GDV_0400

33 826 790

Product version from 6/1/2022





33 826 790

Spare parts list

Product version from 6/1/2022