

33 845 875



- 552mm projection
- pivotable spout 360°
- air-enriched flow
- height of mixer 372 mm
- height up to aerator 290 mm
- rosette 55 mm
- hole diameter 30 mm
- max. flow 8 l/min at 3 bar flow pressure
- lead-free
- This product can help a building meet the requirements of Green Building Rating Systems, e.g. LEED®, BREEAM®, DGNB

| | | |
|---|-------------------------------|---------------|
|  | Brushed Platinum | 33 845 875-06 |
|  | Chrome | 33 845 875-00 |
|  | Platinum | 33 845 875-08 |
|  | Durabross (23kt Gold) | 33 845 875-09 |
|  | Dark Chrome | 33 845 875-19 |
|  | Brushed Durabross (23kt Gold) | 33 845 875-28 |
|  | Brushed Champagne (22kt Gold) | 33 845 875-46 |
|  | Champagne (22kt Gold) | 33 845 875-47 |
|  | Brushed Chrome | 33 845 875-93 |
|  | Brushed Dark Platinum | 33 845 875-99 |

Recommended miscellaneous



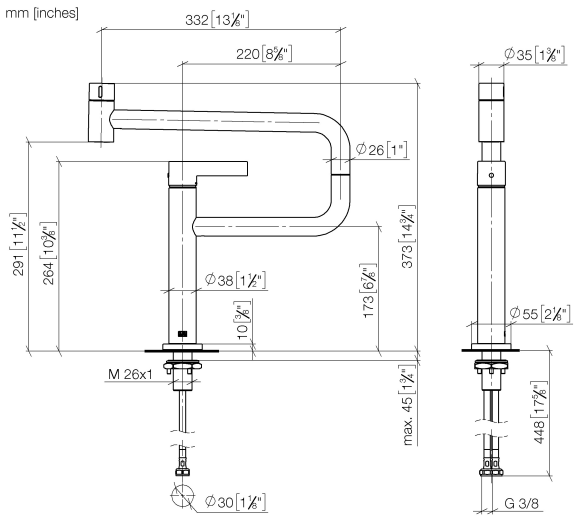
Strainer waste with control handle - Brushed Platinum 10 710 970-06

Recommended miscellaneous

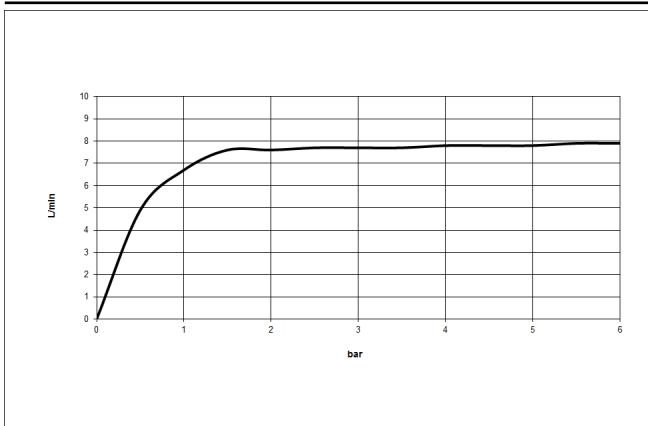


Dispenser with rosette - Brushed Platinum 82 444 970-06

33 845 875



Flow rate chart



Codes & Standards

DIN 4109

Executive Order
no. 1007

ISO 3822

Ü-Zeichen



TARA ULTRA PIVOT Single-lever mixer - Brushed Platinum

TARA ULTRA

33 845 875

Certificates

GDV_0400

LGA_28

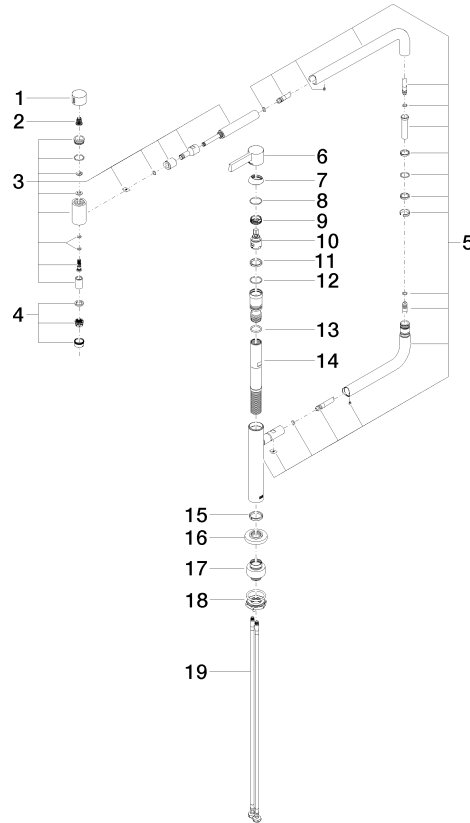
33 845 875

Product version from 3/11/2013 to 10/27/2020

Product version from 10/27/2020 to 5/3/2021

Product version from 5/3/2021

Parts for other
finishes can be found
here: [Chrome](#)





TARA ULTRA PIVOT Single-lever mixer - Brushed Platinum

TARA ULTRA

33 845 875

Spare parts list

Product version from 3/11/2013 to 10/27/2020

Product version from 10/27/2020 to 5/3/2021

Product version from 5/3/2021

| No. | Item Number | Name | Quantity used | Delivery time |
|-----|-----------------|--------|---------------|---------------|
| | 09 20 62 025-06 | handle | 20 | 10 |