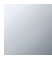

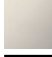





33 860 875



- 240mm projection
- pivotable 360°
- air-enriched flow and spray flow
- height of mixer 685 mm
- height up to aerator 129 mm
- hole diameter 35 mm
- sprayface with anti-scaling system
- max. flow 8 l/min at 3 bar flow pressure
- lead-free
- This product can help a building meet the requirements of Green Building Rating Systems, e.g. LEED®, BREEAM®, DGNB

Intrinsic protection against back flow.

	Chrome	33 860 875-00
	Brushed Platinum	33 860 875-06
	Platinum	33 860 875-08
	Dark Chrome	33 860 875-19
	Brushed Chrome	33 860 875-93
	Brushed Dark Platinum	33 860 875-99

Recommended miscellaneous

**Strainer waste with control handle - Chrome** 10 712 970-00

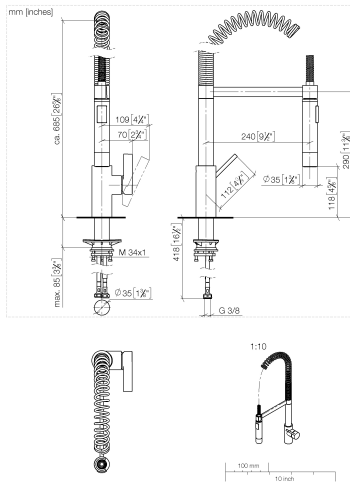


Recommended miscellaneous

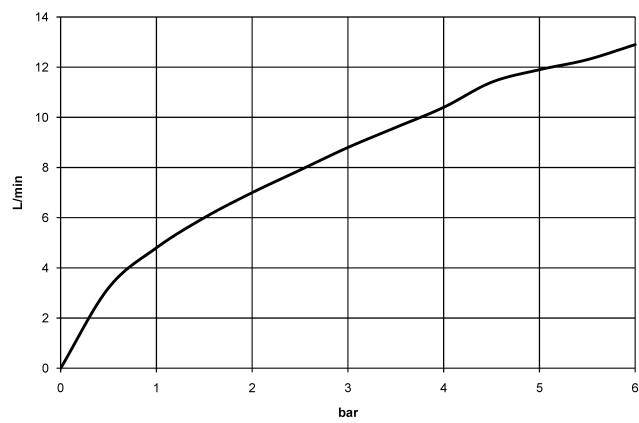
**Dispenser without rosette - Chrome** 82 424 970-00



33 860 875



Flow rate chart

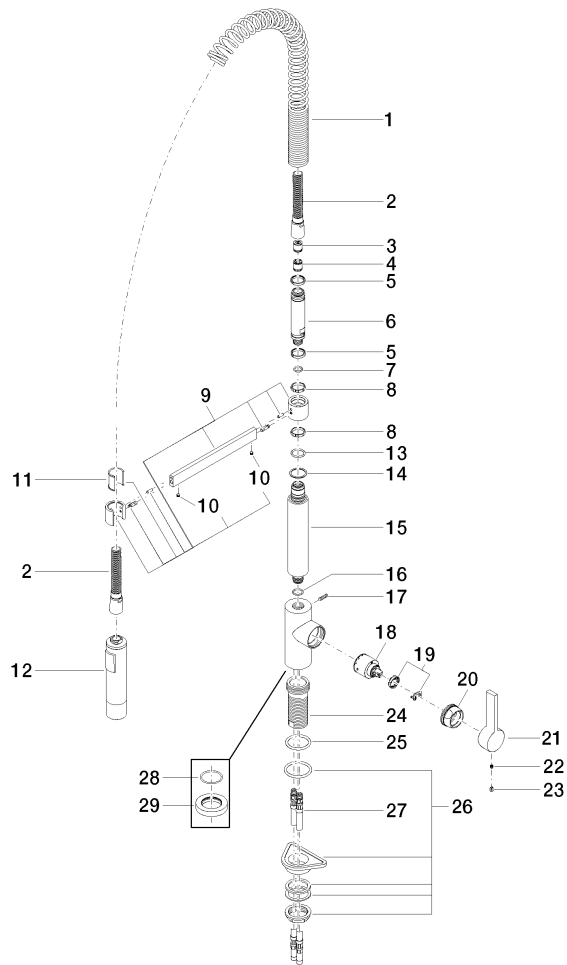


Certificates

LGA\_18903.

Belgaqua\_22\_277\_2  
7\_3.

33 860 875



33 860 875

Spare parts list

No.	Item Number	Name	Quantity used	Delivery time
1	09 16 02 035 90	spring	1	2
2	90 30 02 065 00-00	hose	1	10
3	09 23 01 046 90	back-flow preventer	1	2
4	90 23 01 141 00 90	back-flow preventer	1	2
5	09 14 15 024 90	ring	2	2
6	09 30 01 067 10-00	adaptor	1	10
7	90 14 10 077 00 90	seal	1	2
8	09 28 10 181 90	ring	2	2
9	04 17 20 029 00-00	holder	1	10
10	90 31 11 112 00 90	pin	2	2
11	09 18 40 118 90	sleeve	1	2
12	04 12 11 092 10-00	shower	1	10
13	09 14 10 100 90	seal	1	2
14	09 28 10 122 90	ring	1	2
15	09 11 10 072 10-00	connection	1	10
16	90 14 10 055 00 90	seal	1	2
17	04 31 11 113 00 90	pin	1	2
18	90 15 05 061 00 90	cartridge	1	60
19	90 28 10 148 00 90	accessories	1	2
20	09 24 04 107-00	nut	1	10
21	09 20 79 040-00	handle	1	10
22	90 31 11 030 00 90	pin	1	2
23	09 31 20 017 90	plug	1	2
24	09 30 01 111 20 90	sleeve	1	2
25	09 14 10 036 90	seal	1	2
26	04 23 10 044 02 90	fixing set	1	2
27	04 30 04 016 00 90	hose	2	60
28	09 14 10 149 90	seal	1	2
29	09 28 10 035-00	rosette	1	10