

33 865 895



- 200mm projection
- Flexible silicone hose with large operating range of up to 350 mm
- pivotable spout 360°
- Optional swivel limiter available with swivel limiter set 12 821 970 90
- This product can help a building meet the requirements of Green Building Rating Systems, e.g. LEED®, BREEAM®, DGNB
- air-enriched flow and spray flow
- height of mixer 451 mm
- height up to aerator 119 mm
- hole diameter 35 mm
- sprayface with anti-scaling system
- max. flow 9.5 l/min at 3 bar flow pressure
- lead-free

Intrinsic protection against back flow.

	Brushed Dark Platinum	33 865 895-99
	Chrome	33 865 895-00
	Brushed Platinum	33 865 895-06
	Platinum	33 865 895-08
	Durabronze (23kt Gold)	33 865 895-09
	Dark Chrome	33 865 895-19
	Brushed Durabronze (23kt Gold)	33 865 895-28
	Matte Black	33 865 895-33
	Brushed Champagne (22kt Gold)	33 865 895-46
	Champagne (22kt Gold)	33 865 895-47
	Brushed Chrome	33 865 895-93

Recommended miscellaneous

Swivel limitation set - 12 821 970 90



Recommended miscellaneous

Strainer waste with control handle - Brushed Dark Platinum 10 712 970-99

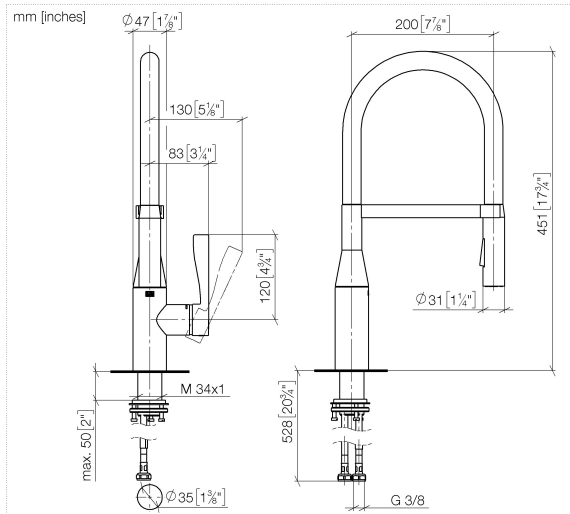


Recommended miscellaneous

Dispenser without rosette - Brushed Dark Platinum 82 424 970-99



33 865 895



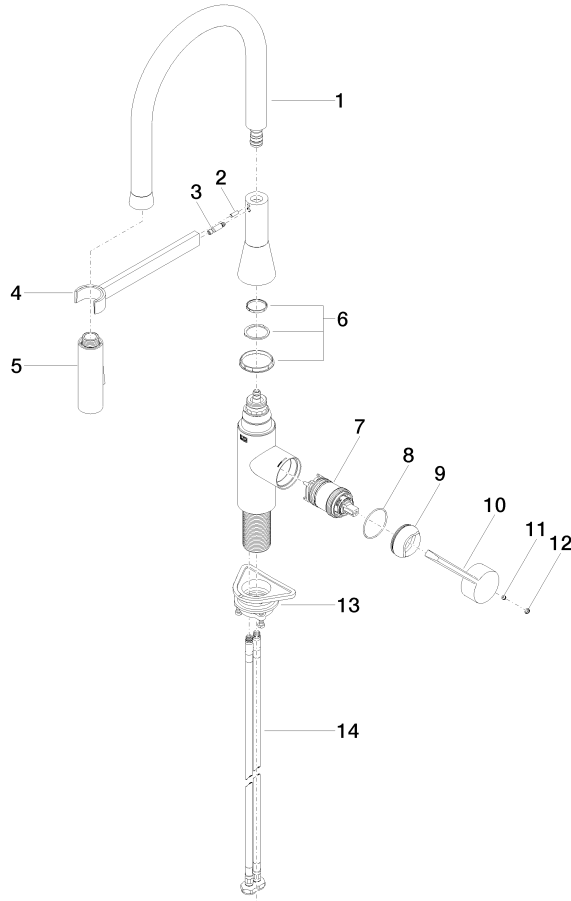
Flow rate chart



Certificates

Belgaqua_21-027- LGA_29573.
27_3.

33 865 895



Spare parts list

No.	Item Number	Name	Quantity used	Delivery time
1	90 30 02 100 00-99	hose	1	30
2	09 31 11 040 90	pin	1	2
3	09 31 11 209 90	pin	1	2
4	90 17 20 045 00-99	holder	1	30
5	04 12 11 150 00 90	shower	1	2
6	90 28 10 161 00 90	set	1	2
7	90 15 05 064 05 90	cartridge	1	2
8	09 14 10 190 90	seal	1	2
9	09 28 30 030-99	cover	1	30
10	09 20 89 020-99	handle	1	30
11	90 31 11 063 00 90	pin	1	2
12	90 31 20 087 00-99	plug	1	30
13	04 30 11 040 00 90	fixing set	1	2
14	04 30 04 101 00 90	hose	2	2