

33 870 875



- 240mm projection
- pivotable spout 360°
- Optional swivel limiter available with swivel limiter set 12 823 970 90
- laminar and spray flow
- height of mixer 500 mm
- height up to laminar flow regulator 240 mm
- hole diameter 35 mm
- 1800 mm metal shower hose
- sprayface with anti-scaling system
- max. flow 10.4 l/min at 3 bar flow pressure
- lead-free
- This product can help a building meet the requirements of Green Building Rating Systems, e.g. LEED®, BREEAM®, DGNB

Intrinsic protection against back flow.

| | | |
|--|--------------------------------|---------------|
| | Brushed Dark Platinum | 33 870 875-99 |
| | Chrome | 33 870 875-00 |
| | Brushed Platinum | 33 870 875-06 |
| | Platinum | 33 870 875-08 |
| | Durabronze (23kt Gold) | 33 870 875-09 |
| | Dark Chrome | 33 870 875-19 |
| | Brushed Durabronze (23kt Gold) | 33 870 875-28 |
| | Matte Black | 33 870 875-33 |
| | Brushed Champagne (22kt Gold) | 33 870 875-46 |
| | Champagne (22kt Gold) | 33 870 875-47 |
| | Brushed Chrome | 33 870 875-93 |

Recommended miscellaneous



Swivel limitation set - 12 823 970 90

Recommended miscellaneous



Strainer waste with control handle - Brushed Dark Platinum 10 712 970-99

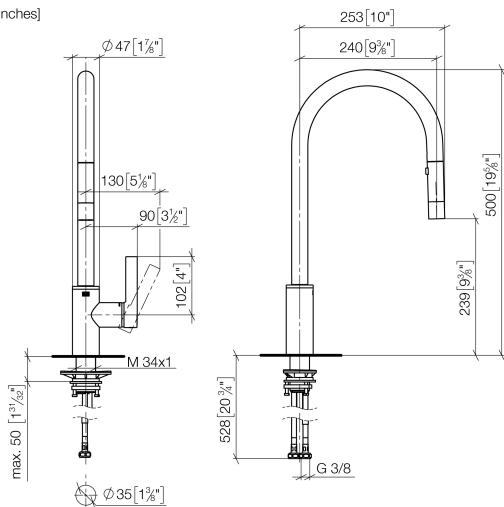
Recommended miscellaneous



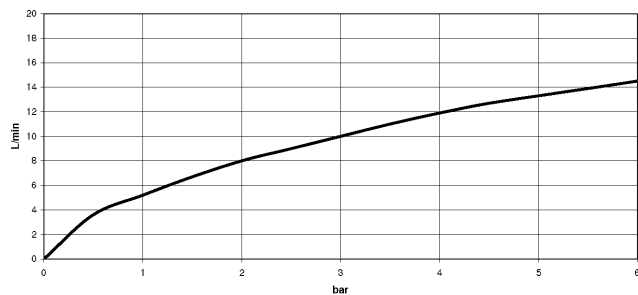
Dispenser without rosette - Brushed Dark Platinum 82 424 970-99

33 870 875

mm [inches]



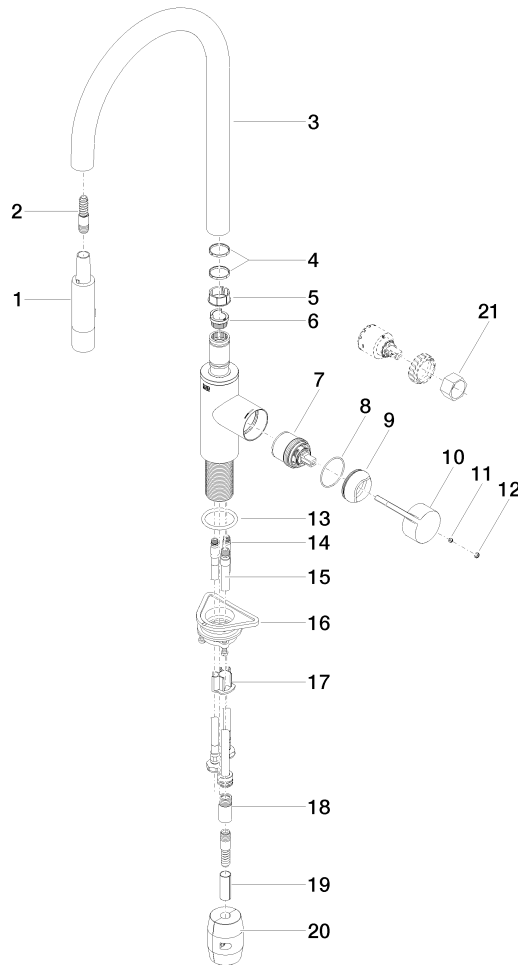
Flow rate chart



Certificates

Belgaqua_21-027- 27_3. LGA_28657. GDV_0400314.

33 870 875



Spare parts list

| No. | Item Number | Name | Quantity used | Delivery time |
|-----|--------------------|-------------|---------------|---------------|
| 1 | 90 12 11 148 00-99 | shower | 1 | 30 |
| 2 | 04 30 02 120 00-85 | hose | 1 | 30 |
| 3 | 90 28 22 304 00-99 | spout | 1 | 30 |
| 4 | 09 28 10 160 90 | ring | 2 | 2 |
| 5 | 09 18 40 186 90 | sleeve | 1 | 2 |
| 6 | 09 30 11 203 90 | ring | 1 | 2 |
| 7 | 90 15 05 064 05 90 | cartridge | 1 | 2 |
| 8 | 09 14 10 190 90 | seal | 1 | 2 |
| 9 | 09 28 30 030-99 | cover | 1 | 30 |
| 10 | 09 20 87 020-99 | handle | 1 | 30 |
| 11 | 90 31 11 063 00 90 | pin | 1 | 2 |
| 12 | 90 31 20 087 00-99 | plug | 1 | 30 |
| 13 | 09 14 10 036 90 | seal | 1 | 2 |
| 14 | 04 30 04 101 00 90 | hose | 2 | 2 |
| 15 | 04 28 20 067 00 90 | pipe | 1 | 2 |
| 16 | 04 30 11 040 00 90 | fixing set | 1 | 2 |
| 17 | 09 20 93 056 90 | insert | 1 | 2 |
| 18 | 90 24 03 253 00 90 | adaptor | 1 | 2 |
| 19 | 09 30 03 038 90 | hose | 1 | 2 |
| 20 | 04 21 50 010 00 90 | accessories | 1 | 2 |
| 21 | 90 30 09 031 00 90 | key | 1 | 2 |