

## SYNC Single-lever mixer Pull-down with spray function - Matte Black

33 870 895 Product version from 2/26/2015



- 240mm projection
- pivotable spout 360°
- Optional swivel limiter available with swivel limiter set 12 821 970 90
- laminar and spray flow
- height of mixer 444 mm
- height up to laminar flow regulator 240 mm
- hole diameter 35 mm
- 1800 mm metal shower hose
- sprayface with anti-scaling system
- max. flow 10.4 l/min at 3 bar flow pressure
- lead-free
- Flow modes can be changed while the water is running
- This product can help a building meet the requirements of Green Building Rating Systems, e.g. LEED®, BREEAM®, DGNB

Intrinsic protection against back flow.

	Matte Black	33 870 895-33
	Chrome	33 870 895-00
	Brushed Platinum	33 870 895-06
	Platinum	33 870 895-08
	Durabronze (23kt Gold)	33 870 895-09
	Dark Chrome	33 870 895-19
	Brushed Durabronze (23kt Gold)	33 870 895-28
	Brushed Champagne (22kt Gold)	33 870 895-46
	Champagne (22kt Gold)	33 870 895-47
	Brushed Chrome	33 870 895-93
	Brushed Dark Platinum	33 870 895-99

### Recommended miscellaneous

**Swivel limitation set -** 12 821 970 90



### Recommended miscellaneous

**Dispenser without rosette - Matte Black** 82 424 970-33



### Recommended miscellaneous

**Strainer waste with control handle - Matte Black** 10 712 970-33



### Recommended miscellaneous

**Dispenser without rosette - Matte Black** 82 424 970-33



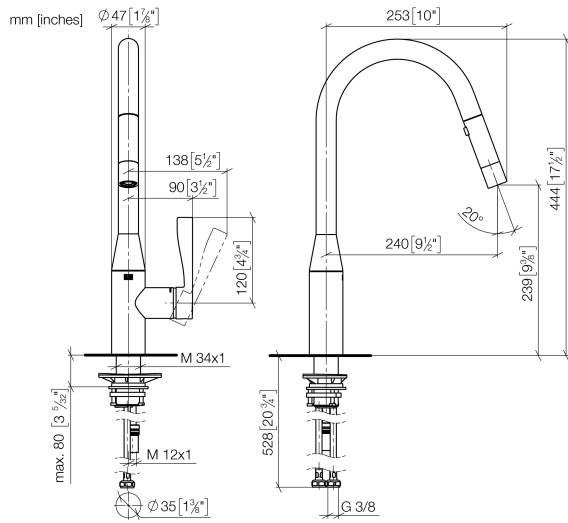
### Recommended miscellaneous

**Strainer waste with control handle - Matte Black** 10 712 970-33

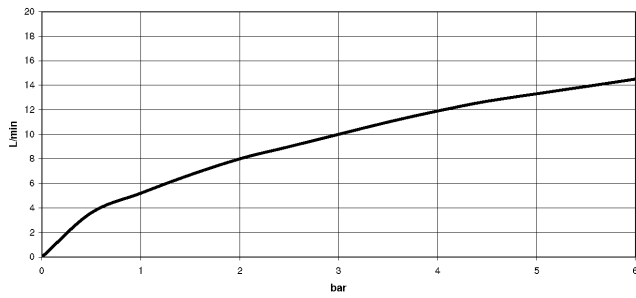


**SYNC Single-lever mixer Pull-down with spray function - Matte Black**

33 870 895 Product version from 2/26/2015



**Flow rate chart**



**Codes & Standards**

DIN 4109

Executive Order  
no. 1007

ISO 3822

Ü-Zeichen



## SYNC Single-lever mixer Pull-down with spray function - Matte Black

---

33 870 895 Product version from 2/26/2015

### Certificates

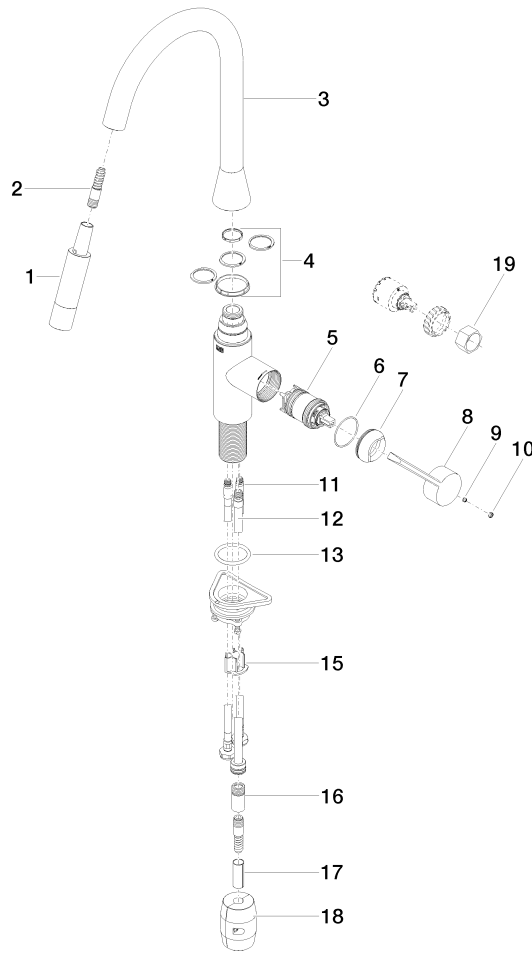
---

LGA\_28

GDV\_0400

**SYNC Single-lever mixer Pull-down with spray function - Matte Black**

33 870 895 Product version from 2/26/2015



**Spare parts list**

No.	Item Number	Name	Quantity used	Delivery time
1	90 12 11 148 00-33	shower	1	30
2	04 30 02 120 00-85	hose	1	10
3	90 28 22 302 00-33	spout	1	30
4	12 821 970 90	Swivel limitation set -	1	2
5	90 15 05 064 05 90	cartridge	1	2
6	09 14 10 190 90	seal	1	2
7	09 28 30 030-33	cover	1	2
8	09 20 89 020-33	handle	1	30
9	90 31 11 063 00 90	pin	1	2
10	90 31 20 087 00-33	plug	1	30
11	04 30 04 101 00 90	hose	2	2
12	04 28 20 067 00 90	pipe	1	2
13	09 14 10 036 90	seal	1	2
14	04 30 11 040 00 90	fixing set	1	2
15	09 20 93 056 90	insert	1	2
16	90 24 03 253 00 90	adaptor	1	2
17	09 30 03 038 90	hose	1	2
18	04 21 50 010 00 90	accessories	1	2
19	90 30 09 031 00 90	key	1	2