

33 875 895



- 240mm projection
- pivotable spout 360°
- Optional swivel limiter available with swivel limiter set 12 821 970 90
- laminar and spray flow
- height of mixer 420 mm
- height up to laminar flow regulator 240 mm
- hole diameter 35 mm
- 1800 mm metal shower hose
- sprayface with anti-scaling system
- max. flow 10.4 l/min at 3 bar flow pressure
- lead-free
- This product can help a building meet the requirements of Green Building Rating Systems, e.g. LEED®, BREEAM®, DGNB

Intrinsic protection against back flow.

	Brushed Platinum	33 875 895-06
	Chrome	33 875 895-00
	Platinum	33 875 895-08
	Durabronze (23kt Gold)	33 875 895-09
	Dark Chrome	33 875 895-19
	Brushed Durabronze (23kt Gold)	33 875 895-28
	Matte Black	33 875 895-33
	Brushed Champagne (22kt Gold)	33 875 895-46
	Champagne (22kt Gold)	33 875 895-47
	Brushed Chrome	33 875 895-93
	Brushed Dark Platinum	33 875 895-99

Recommended miscellaneous

Swivel limitation set - 12 821 970 90



Recommended miscellaneous

Strainer waste with control handle - Brushed Platinum 10 712 970-06

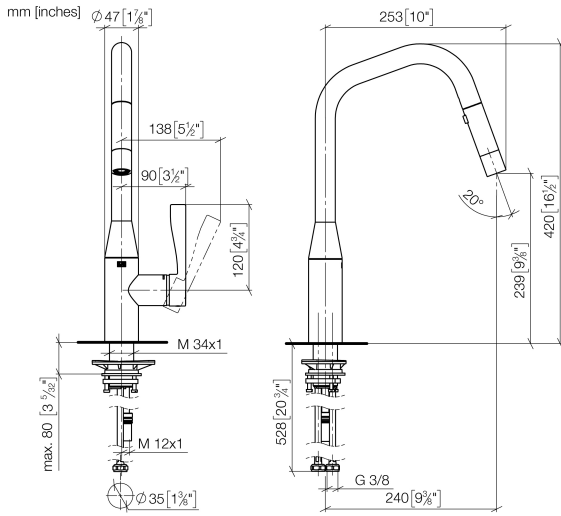


Recommended miscellaneous

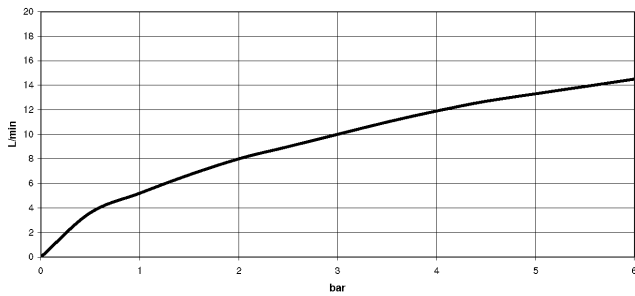
Dispenser without rosette - Brushed Platinum 82 424 970-06



33 875 895



Flow rate chart



Codes & Standards

DIN 4109

EN 1717

Executive Order
no. 1007

ISO 3822

Ü-Zeichen



SYNC Single-lever mixer Pull-down with spray function - Brushed Platinum

SYNC

33 875 895

Certificates

GDV_0400

Belgaqua_21-027-2 LGA_28

33 875 895

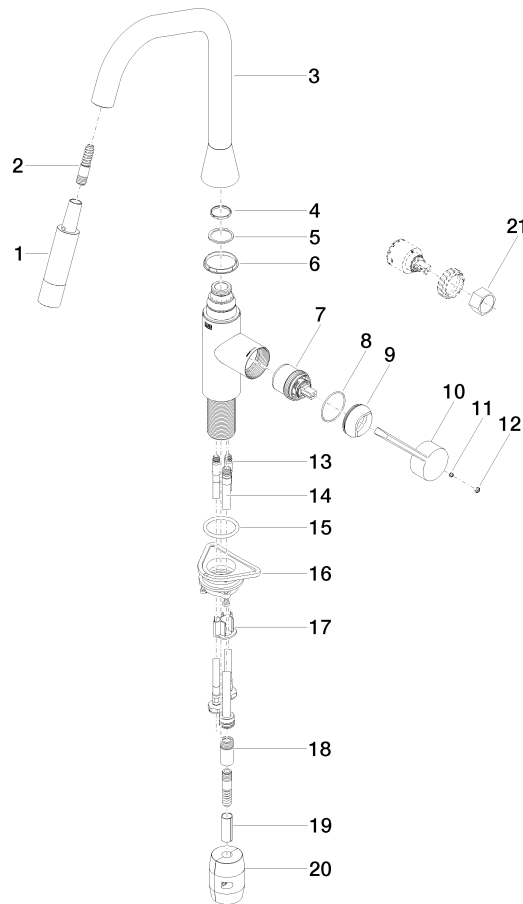
Product version from 2/26/2015 to 1/7/2021

Product version from 1/7/2021 to 4/29/2021

Product version from 5/1/2021 to 6/1/2021

Product version from 6/1/2021 to 7/1/2021

Product version from 7/1/2021





SYNC Single-lever mixer Pull-down with spray function - Brushed Platinum

SYNC

33 875 895

Spare parts list

Product version from 2/26/2015 to 1/7/2021

Product version from 1/7/2021 to 4/29/2021

Product version from 5/1/2021 to 6/1/2021

Product version from 6/1/2021 to 7/1/2021

Product version from 7/1/2021

No.	Item Number	Name	Quantity used	Delivery time
	90 12 11 148 00-06	shower	22	10