

**TARA Shower pipe with shower thermostat without hand shower FlowReduce
220 mm - Brushed Chrome**

TARA

34 458 892



- shower with fixed riser projection 452mm
- Rain shower: PURE RAIN, max. flow rate 7 l/min (at 3 bar)
- Function from: 6 l/min
- rain shower Ø 220 mm
- rain shower with anti-scale system
- rotary diverter with volume control and shut-off function
- slide-on rosettes Ø 70 mm
- height of fittings up to rain shower (bottom edge) 964mm
- height of fittings up to top edge of elbow 1267mm
- gauge 150 mm - 13 mm
- metal shower hose 1750mm with integrated anti-twist protection
- 1/2" connection
- slide bar
- Pipe diameter 23.5 mm
- This product can help a building meet the requirements of Green Building Rating Systems, e.g. LEED®, BREEAM®, DGNB
- WRAS 2204013

This article does not include a hand shower!

Intrinsic protection against back flow.

| | | |
|--|--------------------------------|---------------|
|  | Brushed Chrome | 34 458 892-93 |
|  | Chrome | 34 458 892-00 |
|  | Brushed Platinum | 34 458 892-06 |
|  | Platinum | 34 458 892-08 |
|  | Dark Chrome | 34 458 892-19 |
|  | Brushed Durabronze (23kt Gold) | 34 458 892-28 |
|  | Matte Black | 34 458 892-33 |
|  | Brushed Bronze | 34 458 892-42 |
|  | Brushed Champagne (22kt Gold) | 34 458 892-46 |
|  | Champagne (22kt Gold) | 34 458 892-47 |
|  | Brushed Dark Platinum | 34 458 892-99 |

**TARA Shower pipe with shower thermostat without hand shower FlowReduce
220 mm - Brushed Chrome**

TARA

34 458 892

Required miscellaneous

Hand shower - Brushed Chrome 28 017 979-93



Required miscellaneous

Hand shower - Brushed Chrome 28 016 979-93



Required miscellaneous

Hand shower - Brushed Chrome 28 012 979-93



Required miscellaneous

**Hand shower FlowReduce -
Brushed Chrome** 28 016 979-93
0010



Required miscellaneous

**Hand shower FlowReduce -
Brushed Chrome** 28 018 979-93
0010



Required miscellaneous

**SERIES-VARIOUS Hand shower -
Brushed Chrome** 28 029 979-93
0010



Required miscellaneous

**SERIES-VARIOUS Hand shower -
Brushed Chrome** 28 029 979-93



Required miscellaneous

**SERIES-VARIOUS Hand shower -
Brushed Chrome** 28 027 979-93
0010



Required miscellaneous

Hand shower - Brushed Chrome 28 018 979-93



Required miscellaneous

Hand shower - Brushed Chrome 28 016 979-93



Required miscellaneous

**Hand shower FlowReduce -
Brushed Chrome** 28 012 979-93
0010



Required miscellaneous

**Hand shower FlowReduce -
Brushed Chrome** 28 016 979-93
0010



Required miscellaneous

**SERIES-VARIOUS Hand shower -
Brushed Chrome** 28 029 979-93
0010



Required miscellaneous

**SERIES-VARIOUS Hand shower -
Brushed Chrome** 28 029 979-93



Required miscellaneous

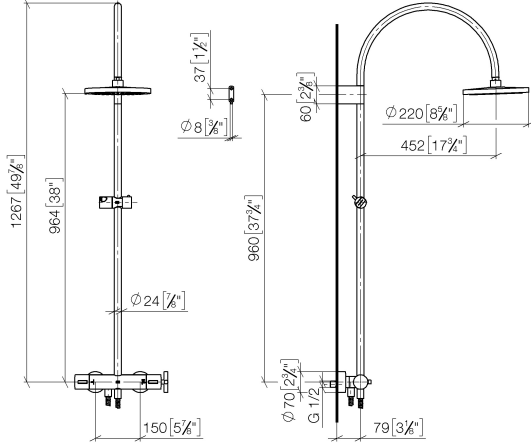
**SERIES-VARIOUS Hand shower -
Brushed Chrome** 28 025 979-93
0010



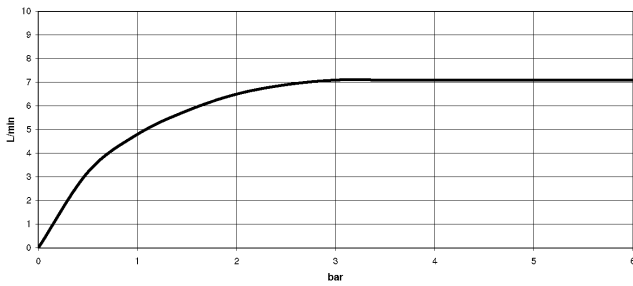
**TARA Shower pipe with shower thermostat without hand shower FlowReduce
220 mm - Brushed Chrome**

TARA

34 458 892
mm [inches]
1:10



Flow rate chart



Codes & Standards

| | | | |
|--------------------------------|-----------|----------|---------------------------|
| DIN 4109 | EN 1717 | ISO 3822 | Scottish Water Byelaws |
| UK Water Supply Regulations | Ü-Zeichen | | |



TARA Shower pipe with shower thermostat without hand shower FlowReduce
220 mm - Brushed Chrome

TARA

34 458 892

Certificates

WRAS_2204

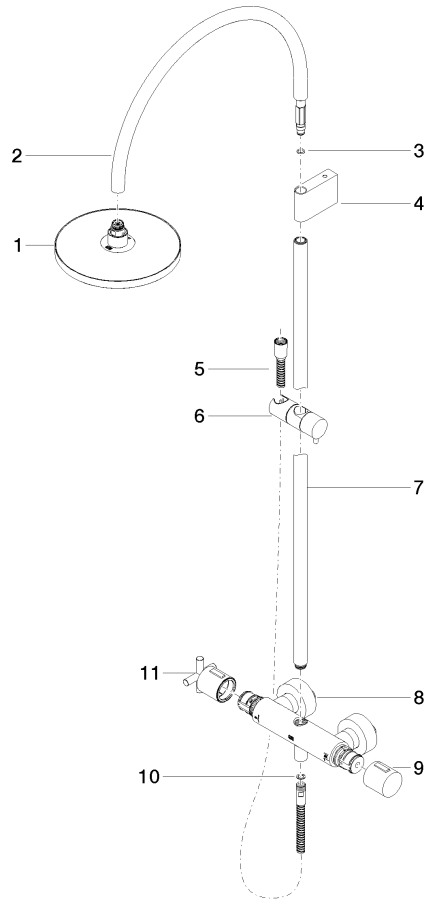
LGA_38

Belgaqua_22_283_2

34 458 892

Product version from 5/1/2022

Parts for other
finishes can be found
here: [Chrome](#)





TARA Shower pipe with shower thermostat without hand shower FlowReduce
220 mm - Brushed Chrome

TARA

34 458 892

Spare parts list

Product version from 5/1/2022

| No. | Item Number | Name | Quantity used | Delivery time |
|-----|--------------------|--------|---------------|---------------|
| | 90 12 05 092 20-93 | shower | 11 | 20 |