

**TARA Shower pipe with shower thermostat without hand shower 300 mm -
Brushed Dark Platinum**

TARA

34 460 892



- shower with fixed riser projection 452mm
- overhead shower: rain flow
- rain shower Ø 300 mm
- rain shower with anti-scale system
- max. rainshower flow 14 l/min
- Function from: 10 l/min
- rotary diverter with volume control and shut-off function
- slide-on rosettes Ø 70 mm
- height of fittings up to rain shower (bottom edge) 964mm
- height of fittings up to top edge of elbow 1267mm
- gauge 150 mm - 13 mm
- metal shower hose 1750mm with integrated anti-twist protection
- 1/2" connection
- slide bar
- Pipe diameter 23.5 mm

This article does not include a hand shower!

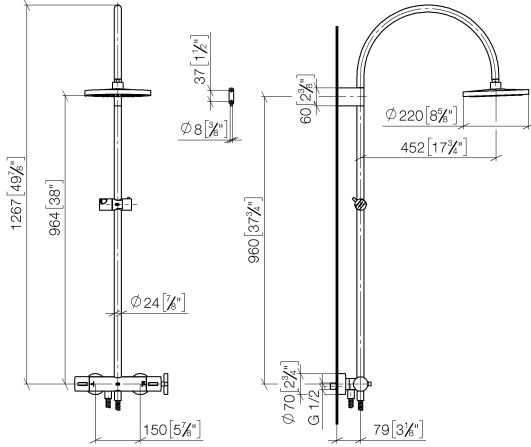
Intrinsic protection against back flow.

| | | |
|--------------------------------------------------------------------------------------|--------------------------------|---------------|
|  | Brushed Dark Platinum | 34 460 892-99 |
|  | Chrome | 34 460 892-00 |
|  | Brushed Platinum | 34 460 892-06 |
|  | Platinum | 34 460 892-08 |
|  | Dark Chrome | 34 460 892-19 |
|  | Brushed Durabronze (23kt Gold) | 34 460 892-28 |
|  | Matte Black | 34 460 892-33 |
|  | Brushed Bronze | 34 460 892-42 |
|  | Brushed Champagne (22kt Gold) | 34 460 892-46 |
|  | Champagne (22kt Gold) | 34 460 892-47 |
|  | Brushed Chrome | 34 460 892-93 |

**TARA Shower pipe with shower thermostat without hand shower 300 mm -
Brushed Dark Platinum**

TARA

34 460 892
mm [inches]
1:10



Flow rate chart



Codes & Standards

EN 1717



TARA Shower pipe with shower thermostat without hand shower 300 mm -
Brushed Dark Platinum

TARA

34 460 892

Certificates

Belgaqua_24-006-2

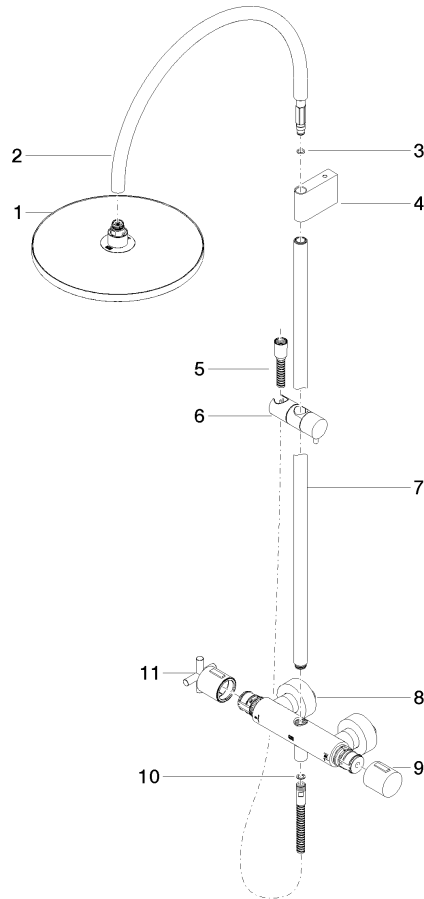
TARA Shower pipe with shower thermostat without hand shower 300 mm -
Brushed Dark Platinum

TARA

34 460 892

Product version from 4/1/2024

Parts for other
finishes can be found
here: [Chrome](#)





TARA Shower pipe with shower thermostat without hand shower 300 mm -
Brushed Dark Platinum

TARA

34 460 892

Spare parts list

Product version from 4/1/2024

| No. | Item Number | Name | Quantity used | Delivery time |
|-----|--------------------|--------|---------------|---------------|
| | 04 12 05 091 00-99 | shower | 11 | 30 |