



Concealed single-lever mixer with backflow preventor -

35 021 970 90



- lead-free, dezincification resistant
- safety combination
- 2x back flow preventer
- 2x male thread 1/2" connection
- 3x outlet G 1/2"
- dust cover
- anti-water packing
- sound and thermal insulation
- 2x integrated supply stop
- gauge 60 mm
- WRAS 2207012

Recommended miscellaneous

Extension 25 mm -

12 191 970 90



Recommended miscellaneous

Extension 25 mm -

12 190 970 90



Recommended miscellaneous

**xGRID Attachment set for
integrating in the dry wall
construction -**

12 340 970 90



Required miscellaneous

xGRID Installation track 555 mm - 12 360 970 90

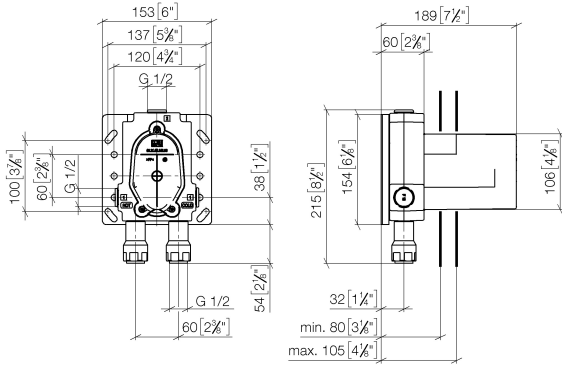




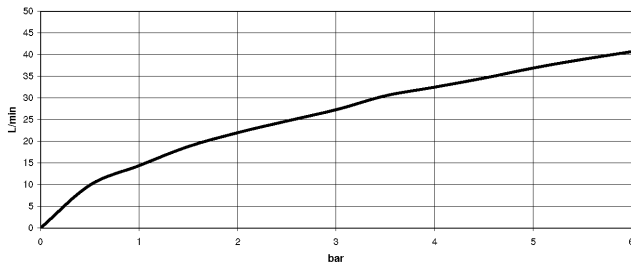
Concealed single-lever mixer with backflow preventor -

35 021 970 90

mm [inches]



Flow rate chart



Codes & Standards

DIN 4109

EN 1717

EN 817

ISO 3822

Scottish Water
Byelaws

UK Water Supply
Regulations

Ü-Zeichen



Concealed single-lever mixer with backflow preventor -

35 021 970 90

Certificates

DVGW_DW-
6512DN0

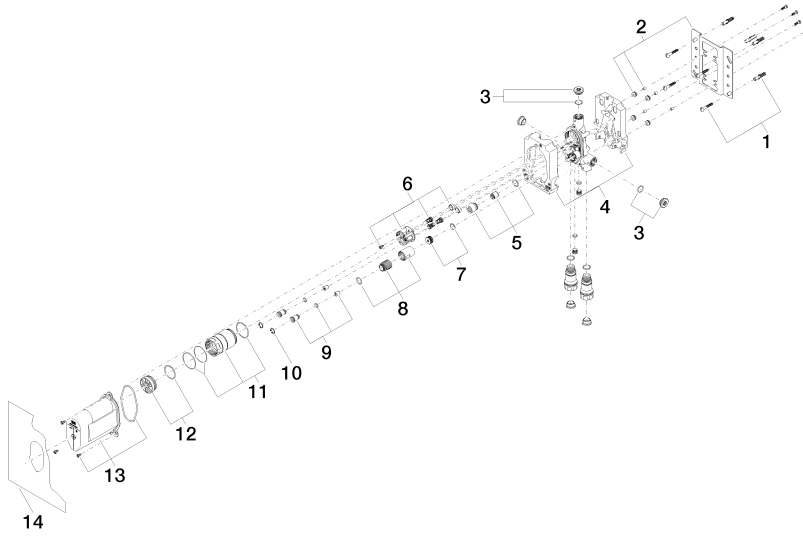
WRAS_2207

LGA_19

Belgaqua_21-385-
27

Concealed single-lever mixer with backflow preventor -

35 021 970 90





Concealed single-lever mixer with backflow preventor -

35 021 970 90

Spare parts list

No.	Item Number	Name	Quantity used	Delivery time
	04 30 31 024 01 90	fixing set	18	2