



## Concealed wall mounting -

---

35 050 970 90



- red brass, lead-free
- 2x female thread 1/2" connections
- dust cover
- anti-water packing
- soundproofing
- WRAS 2101043, 2011027

---

### Recommended miscellaneous

**Extension 25 mm -**

12 055 970 90



---

### Recommended miscellaneous

**Rosette - Chrome**  
●with angular rosette

12 720 980-00



---

### Recommended miscellaneous

**Rosette - Chrome**  
●with round rosette

12 720 660-00

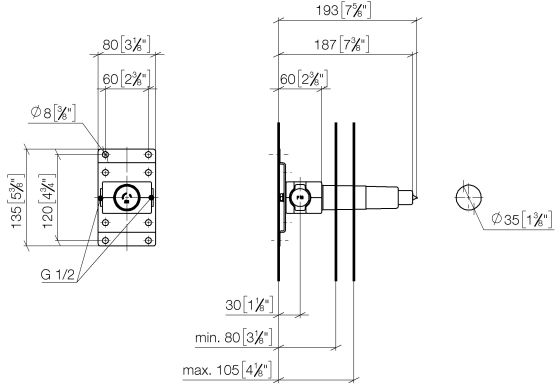




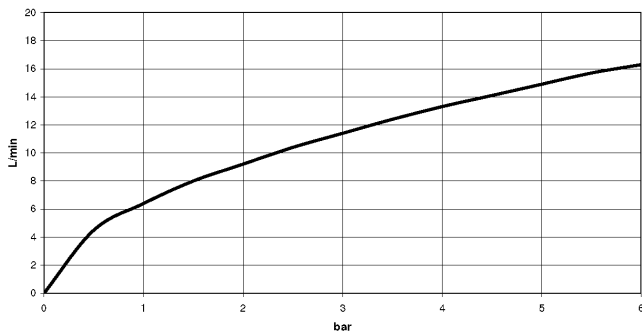
## Concealed wall mounting -

35 050 970 90

mm [inches]



## Flow rate chart



## Codes & Standards

EN 817

Scottish Water  
Byelaws

UK Water Supply  
Regulations



## Concealed wall mounting -

---

35 050 970 90

### Certificates

---

DVGW\_DW-  
6512DN0

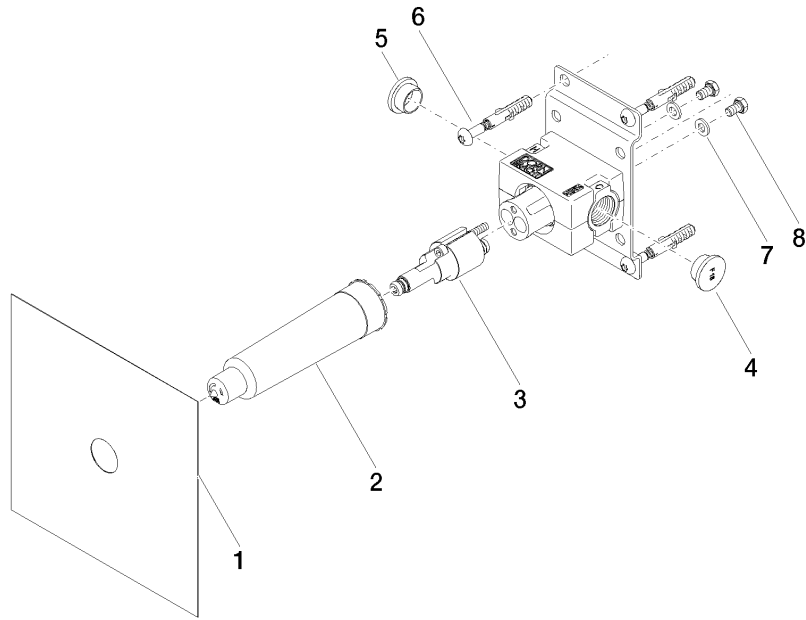
WRAS\_2011

WRAS\_2101

Concealed wall mounting -

---

35 050 970 90





## Concealed wall mounting -

---

35 050 970 90

### Spare parts list

No.	Item Number	Name	Quantity used	Delivery time
	04 14 03 072 01 90	gasket kit	11	2