



## Concealed wall installation box -

---

35 205 970 90

- female thread 1/2" connection
- dust cover
- anti-water packing



---

### Required miscellaneous



**WATER POINTS Adapter plate -** 12 305 970 90  
●adapter plate for mounting concealed rough parts 35 205 970 90 on the xGRID installation track.

---

### Recommended miscellaneous



**xGRID Attachment set for integrating in the dry wall construction -** 12 340 970 90

---

### Required miscellaneous



**xGRID Installation track 555 mm -** 12 360 970 90

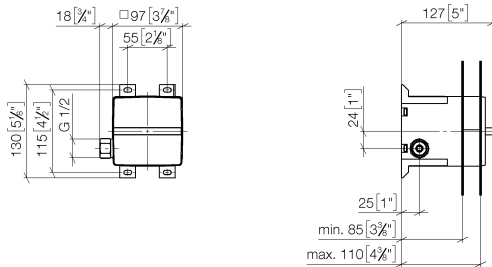


## Concealed wall installation box -

---

35 205 970 90

mm [inches]



## Codes & Standards

---

DIN 4109

ISO 3822

Ü-Zeichen

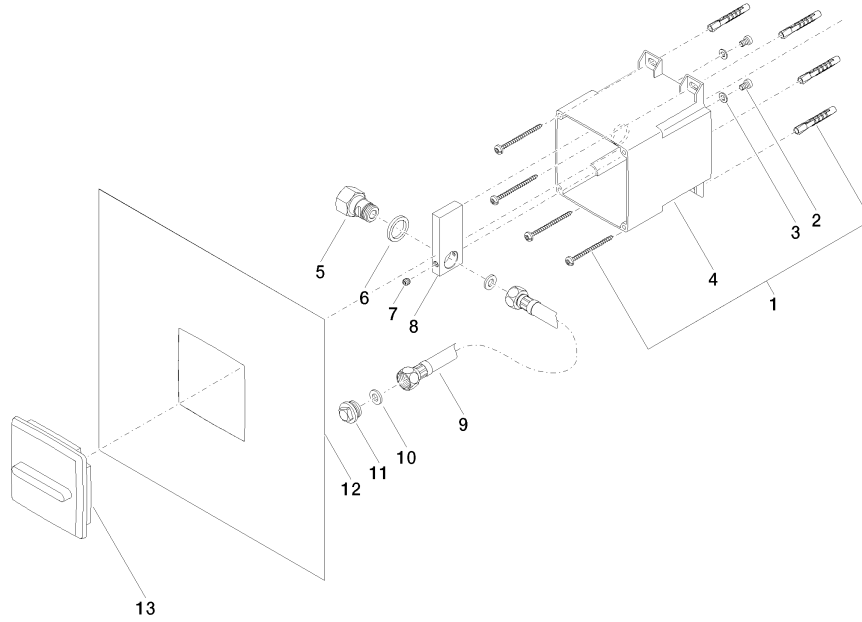
## Certificates

---

LGA\_18

Concealed wall installation box -

35 205 970 90





## Concealed wall installation box -

---

35 205 970 90

### Spare parts list

No.	Item Number	Name	Quantity used	Delivery time
	05 30 31 025 00 90	fixing set	17	2