



## Concealed thermostat -

---

35 425 970 90



- lead-free, dezincification resistant
- 2x back flow preventer
- 2x female thread 1/2" connections
- 3x outlet G 1/2"
- dust cover
- anti-water packing
- sound and thermal insulation
- suitable for xGRID (when using installation track + 12 mm recess depth)
- gauge 70 mm
- WRAS 1906098

---

### Recommended miscellaneous



**xGRID Attachment set for  
integrating in the dry wall  
construction -**

12 340 970 90

---

### Required miscellaneous



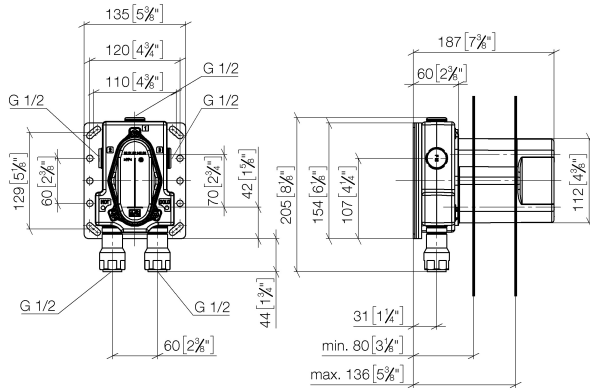
**xGRID Installation track 555 mm -** 12 360 970 90



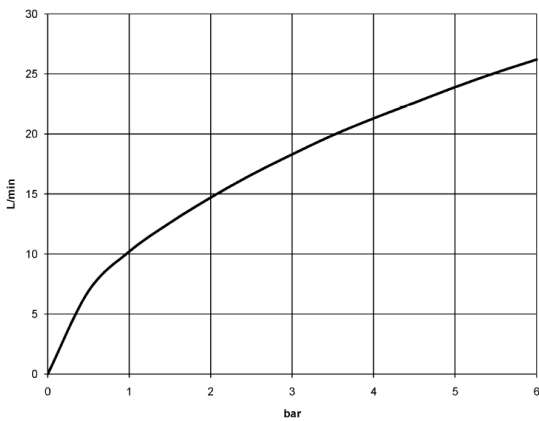
## Concealed thermostat -

35 425 970 90

mm [inches]



### Flow rate chart



### Codes & Standards

EN 1111

EN 1717

Scottish Water  
Byelaws

UK Water Supply  
Regulations

VA-Zeichen



## Concealed thermostat -

---

35 425 970 90

### Certificates

---

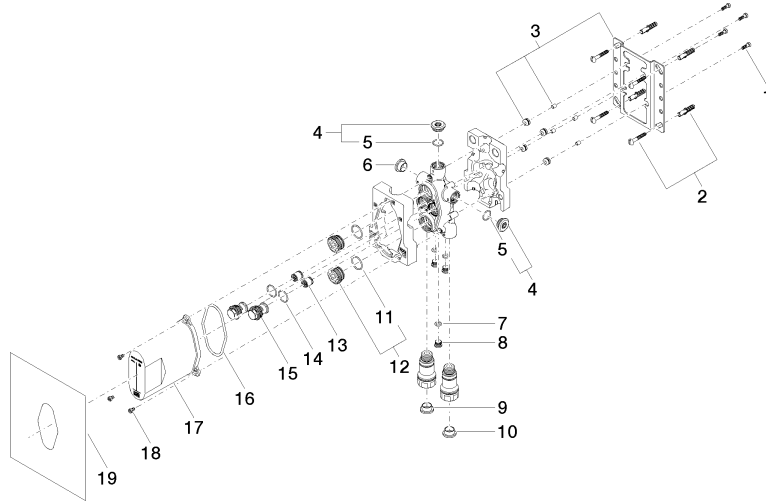
WRAS\_1906

DVGW\_DW-  
6512DN0

Belgaqua\_21-031-2 ETA\_20

Concealed thermostat -

35 425 970 90





## Concealed thermostat -

---

35 425 970 90

### Spare parts list

No.	Item Number	Name	Quantity used	Delivery time
	09 30 30 171 90	screw	35	2