

xTOOL Concealed thermostat module without volume control -

35 503 970 90



- red brass, lead-free
- 2x back flow preventer
- 2x female thread 3/4" connections
- 2x female thread 3/4" outlet for additional valves
- dust cover
- anti-water packing
- soundproofing
- suitable for xGRID (when using installation track + 12 mm recess depth)

Recommended miscellaneous



Extension 28 mm -

12 177 970 90

Recommended miscellaneous



Extension 46 mm -

12 178 970 90

Recommended miscellaneous



**xGRID Attachment set for
integrating in the dry wall
construction -**

12 340 970 90

Required miscellaneous

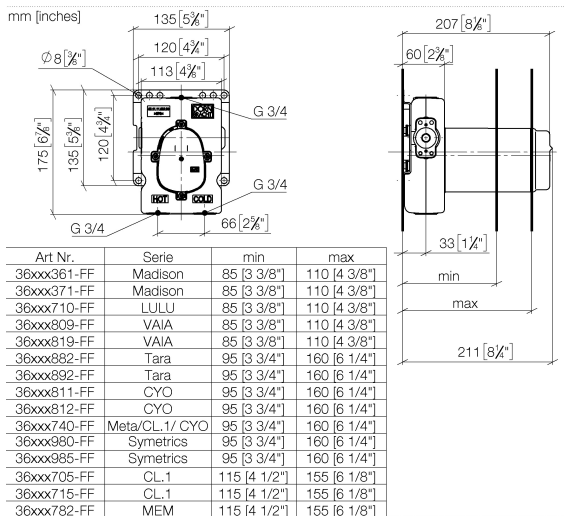


xGRID Installation track 555 mm -

12 360 970 90

xTOOL Concealed thermostat module without volume control -

35 503 970 90



Codes & Standards

EN 1111

EN 1717

XP P 41-280

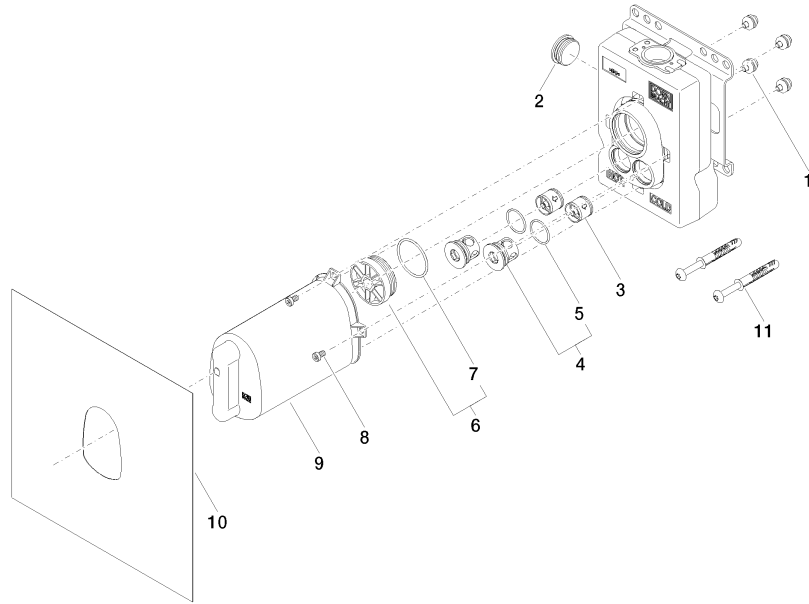
Certificates

Belgqua_21-031-2 ACS_21 ACC LY

DVGW_DW-6512DN0

xTOOL Concealed thermostat module without volume control -

35 503 970 90



Spare parts list

No.	Item Number	Name	Quantity used	Delivery time
1	90 23 01 091 00 90	set	4	2
2	09 31 20 003 90	plug	1	2
3	90 23 01 045 00 90	back-flow preventer	2	2
4	04 21 34 077 00 90	nipple	2	2
5	09 14 10 098 90	seal	2	2
6	04 31 20 100 00 90	plug	1	2
7	09 14 10 111 90	seal	1	2
8	09 30 30 112 90	screw	4	2
9	04 21 02 174 01 90	cap	1	2
10	04 14 03 073 04 90	gasket kit	1	2
11	04 30 31 054 00 90	fixing set	2	2