

Concealed wall-mounted mixer centred spout -

35 700 970 90

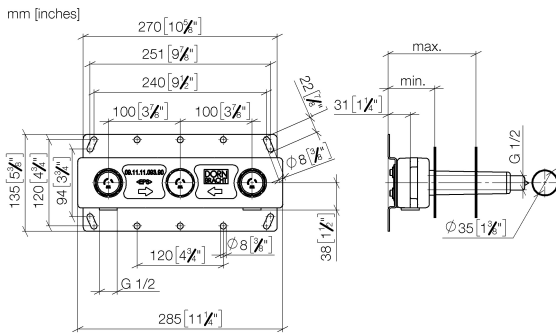


- 3x dust cover
- 2x female thread 1/2" connections
- 1x female thread 1/2" outlet
- 3x sealing plug 1/2"
- gauge 100 mm
- WRAS 2211003



Concealed wall-mounted mixer centred spout -

35 700 970 90



		min	max
36xxx361-FF	Madison	85 [3 3/8"]	145 [5 5/8"]
36xxx809/819-FF	Vaia	85 [3 3/8"]	145 [5 5/8"]
36xxx882/892-FF	Tara.	85 [3 3/8"]	145 [5 5/8"]
36xxx811-FF	CYO	85 [3 3/8"]	145 [5 5/8"]
36xxx705-FF	CL. 1	110 [4 3/8"]	150 [5 7/8"]
36xxx782-FF	MEM	110 [4 3/8"]	150 [5 7/8"]

Codes & Standards

Scottish Water
Byelaws

UK Water Supply
Regulations

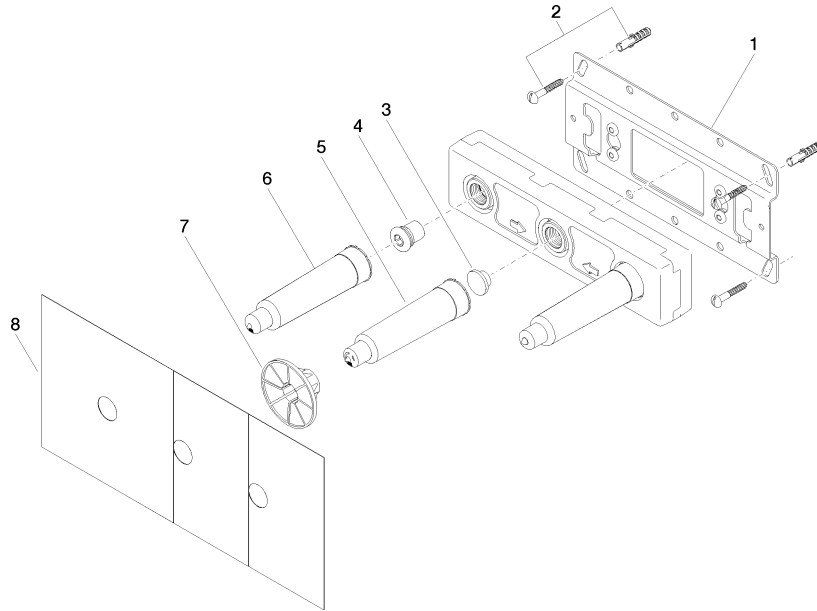
Certificates

WRAS_2211

Concealed wall-mounted mixer centred spout -

35 700 970 90

Product version from 4/1/2022





Concealed wall-mounted mixer centred spout -

35 700 970 90

Spare parts list

Product version from 4/1/2022

No.	Item Number	Name	Quantity used	Delivery time
	04 17 20 251 00 90	base	13	60