

Concealed floor mounting -

35 944 970 90

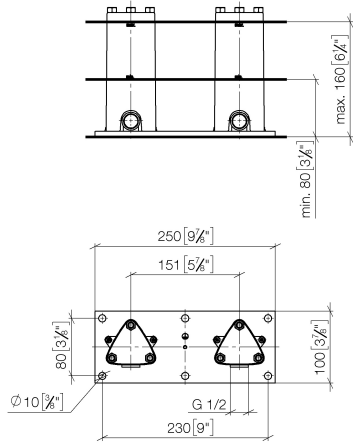


- stainless steel
- 2x 1/2" connection angle
- gauge 150 mm
- 2x anti-water packing
- 2x dust cover
- soundproofing
- WRAS 1911027

Concealed floor mounting -

35 944 970 90

mm [inches]



Codes & Standards

Scottish Water
Byelaws

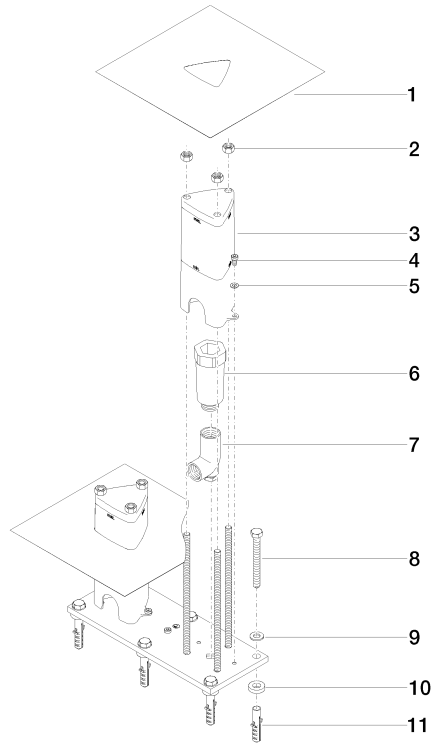
UK Water Supply
Regulations

Certificates

WRAS_1911

Concealed floor mounting -

35 944 970 90





Concealed floor mounting -

35 944 970 90

Spare parts list

| No. | Item Number | Name | Quantity used | Delivery time |
|-----|-----------------|------|---------------|---------------|
| | 09 14 03 110 90 | seal | 45 | 2 |