

Concealed single-lever mixer with integrated shower connection with shower set without hand shower - Brushed Platinum

TARA

36 013 660



Fits: TARA, META

- cover plate Ø 78 mm
- metal shower hose 1750mm with integrated anti-twist protection
- slide bar
- WRAS 2011027

**This article does not include a hand shower!**  
**Intrinsic protection against back flow.**

**Article cannot be extended, please check the depth of the installation location!**

This article does not include a hand shower!

Intrinsic protection against back flow.

Article cannot be extended, please check the depth of the installation location!


	Brushed Platinum	36 013 660-06
	Chrome	36 013 660-00
	Platinum	36 013 660-08
	Dark Chrome	36 013 660-19
	Brushed Light Gold	36 013 660-27
	Brushed Durabronze (23kt Gold)	36 013 660-28
	Matte Black	36 013 660-33
	Brushed Champagne (22kt Gold)	36 013 660-46
	Champagne (22kt Gold)	36 013 660-47
	Brushed Chrome	36 013 660-93
	Brushed Dark Platinum	36 013 660-99

# Concealed single-lever mixer with integrated shower connection with shower set without hand shower - Brushed Platinum


TARA

36 013 660


Required miscellaneous

	<b>Concealed wall mounting -</b> •max. recess depth 103 mm •min. recess depth 78 mm	35 003 970 90
---	---	---------------

Required miscellaneous

	<b>Hand shower FlowReduce - Brushed Platinum</b>	28 016 979-06 0010
---	--	-----------------------

Required miscellaneous

	<b>Hand shower FlowReduce - Brushed Platinum</b>	28 012 979-06 0010
---	--	-----------------------

Required miscellaneous

	<b>Hand shower - Brushed Platinum</b>	28 018 979-06
---	---------------------------------------	---------------


Required miscellaneous

	<b>SERIES-VARIOUS Hand shower - Brushed Platinum</b>	28 029 979-06 0010
---	--	-----------------------

Required miscellaneous

	<b>SERIES-VARIOUS Hand shower - Brushed Platinum</b>	28 027 979-06 0010
---	--	-----------------------

Required miscellaneous

	<b>Hand shower - Brushed Platinum</b>	28 012 979-06
---	---------------------------------------	---------------


Required miscellaneous

	<b>Hand shower - Brushed Platinum</b>	28 017 979-06
---	---------------------------------------	---------------

Required miscellaneous

	<b>Hand shower - Brushed Platinum</b>	28 016 979-06
---	---------------------------------------	---------------

Required miscellaneous

	<b>Hand shower FlowReduce - Brushed Platinum</b>	28 018 979-06 0010
---	--	-----------------------

Required miscellaneous

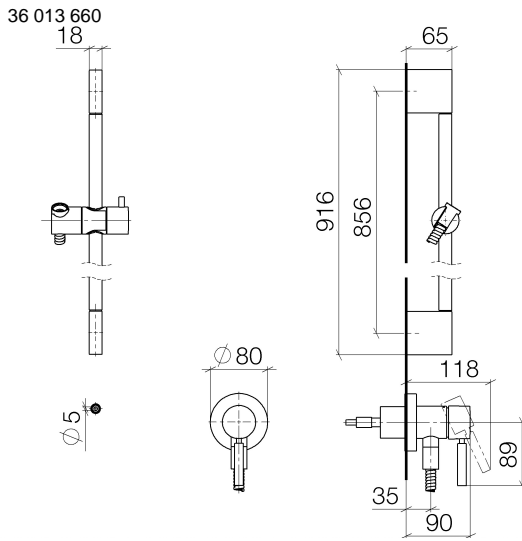
	<b>SERIES-VARIOUS Hand shower - Brushed Platinum</b>	28 029 979-06
---	--	---------------

Required miscellaneous

	<b>SERIES-VARIOUS Hand shower - Brushed Platinum</b>	28 025 979-06 0010
---	--	-----------------------

**Concealed single-lever mixer with integrated shower connection with shower set without hand shower - Brushed Platinum**

TARA



**Codes & Standards**

DIN 4109	EN 1717	ISO 3822	Scottish Water Byelaws
UK Water Supply Regulations	Ü-Zeichen		

**Certificates**

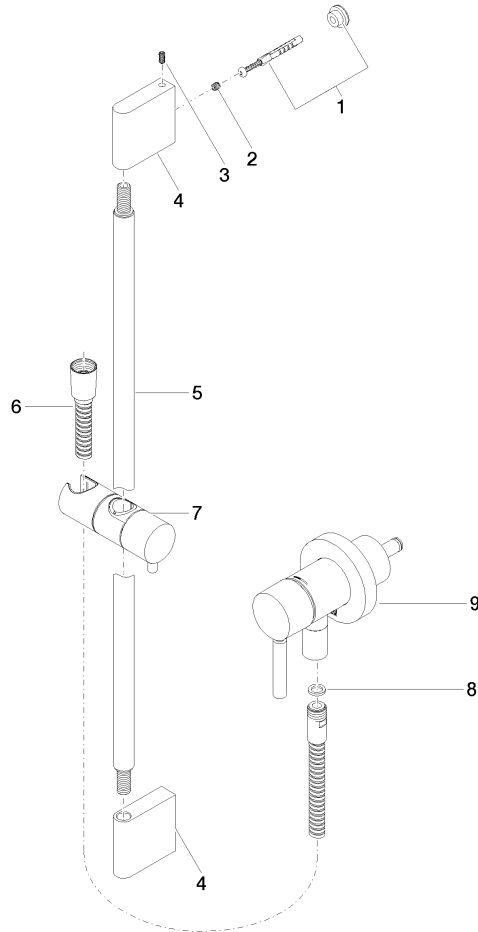
Belgaqua_21-025-2 LGA_29	WRAS_2011
--------------------------	-----------

Concealed single-lever mixer with integrated shower connection with shower set without hand shower - Brushed Platinum

TARA

36 013 660

Product version from 10/1/2023





Concealed single-lever mixer with integrated shower connection with shower set without hand shower - Brushed Platinum

TARA

36 013 660

**Spare parts list**

**Product version from 10/1/2023**

No.	Item Number	Name	Quantity used	Delivery time
	05 17 20 726 02 90	fixing set	12	2