

**Concealed single-lever mixer with integrated shower connection with shower set without hand shower - Brushed Champagne (22kt Gold)**

TARA

36 013 660





Fits: TARA, META

- cover plate Ø 78 mm
- metal shower hose 1750mm with integrated anti-twist protection
- slide bar
- WRAS 2011027

This article does not include a hand shower!

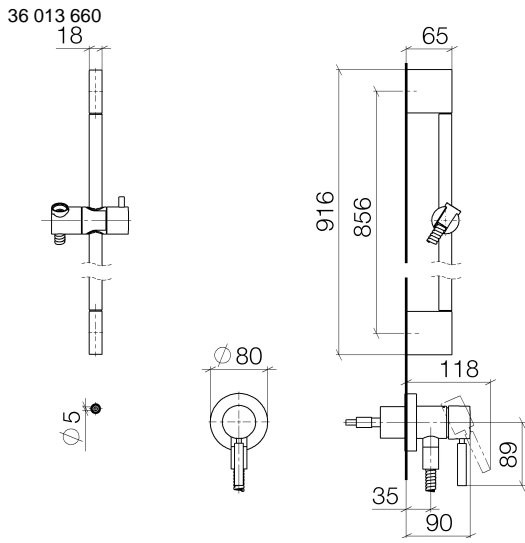
Intrinsic protection against back flow.

Article cannot be extended, please check the depth of the installation location!

|  |                                |               |
|--|--------------------------------|---------------|
|    | Brushed Champagne (22kt Gold)  | 36 013 660-46 |
|    | Chrome                         | 36 013 660-00 |
|    | Brushed Platinum               | 36 013 660-06 |
|    | Platinum                       | 36 013 660-08 |
|    | Dark Chrome                    | 36 013 660-19 |
|    | Brushed Light Gold             | 36 013 660-27 |
|    | Brushed Durabronze (23kt Gold) | 36 013 660-28 |
|   | Matte Black                    | 36 013 660-33 |
|  | Champagne (22kt Gold)          | 36 013 660-47 |
|  | Brushed Chrome                 | 36 013 660-93 |
|  | Brushed Dark Platinum          | 36 013 660-99 |

Concealed single-lever mixer with integrated shower connection with shower set without hand shower - Brushed Champagne (22kt Gold)

TARA



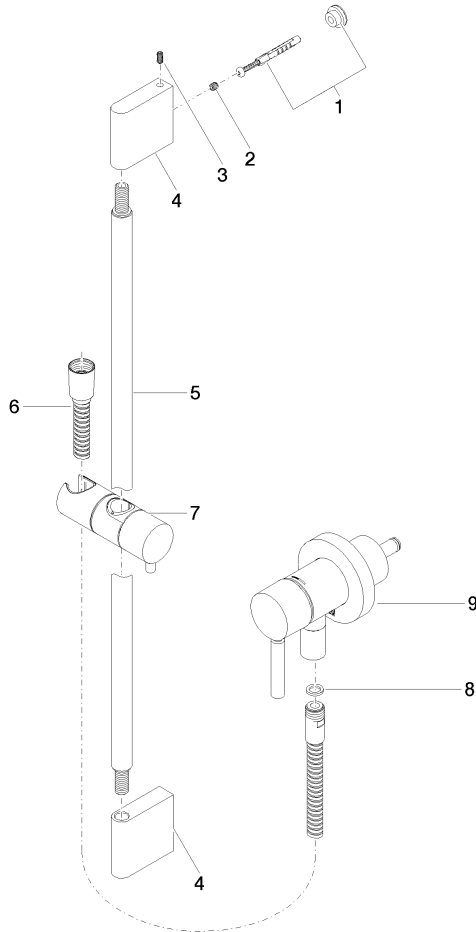
Concealed single-lever mixer with integrated shower connection with shower set without hand shower - Brushed Champagne (22kt Gold)

TARA

36 013 660

Product version from 10/1/2023

Parts for other finishes can be found here: [Chrome](#)





Concealed single-lever mixer with integrated shower connection with shower set without hand shower - Brushed Champagne (22kt Gold)

TARA

36 013 660

### Spare parts list

Product version from 10/1/2023

| No. | Item Number        | Name       | Quantity used | Delivery time |
|-----|--------------------|------------|---------------|---------------|
|     | 05 17 20 726 02 90 | fixing set | 12            | 2             |