

Concealed single-lever mixer with integrated shower connection with shower set without hand shower - Chrome

IMO

36 013 970



Fits: IMO, MEM, CL.1

- cover plate 80 x 80 mm
- metal shower hose 1750mm with integrated anti-twist protection
- slide bar
- Pipe diameter 18 mm

This article does not include a hand shower!
Intrinsic protection against back flow.

Article cannot be extended, please check the depth of the installation location!

This article does not include a hand shower!

Intrinsic protection against back flow.

Article cannot be extended, please check the depth of the installation location!

| | | |
|--|-------------------------------|---------------|
| | Chrome | 36 013 970-00 |
| | Brushed Platinum | 36 013 970-06 |
| | Platinum | 36 013 970-08 |
| | Dark Chrome | 36 013 970-19 |
| | Brushed Durabrass (23kt Gold) | 36 013 970-28 |
| | Matte Black | 36 013 970-33 |
| | Brushed Champagne (22kt Gold) | 36 013 970-46 |
| | Champagne (22kt Gold) | 36 013 970-47 |
| | Brushed Chrome | 36 013 970-93 |
| | Brushed Dark Platinum | 36 013 970-99 |

Required miscellaneous

| | | |
|--|---|---------------|
| | Concealed wall mounting - •max. recess depth 103 mm •min. recess depth 78 mm | 35 003 970 90 |
|--|---|---------------|

Required miscellaneous

| | | |
|--|-----------------------------|---------------|
| | Hand shower - Chrome | 28 017 979-00 |
|--|-----------------------------|---------------|

Required miscellaneous

| | | |
|--|-----------------------------|---------------|
| | Hand shower - Chrome | 28 016 979-00 |
|--|-----------------------------|---------------|

Required miscellaneous

| | | |
|--|-----------------------------|---------------|
| | Hand shower - Chrome | 28 018 979-00 |
|--|-----------------------------|---------------|

Required miscellaneous

| | | |
|--|--|-----------------------|
| | Hand shower FlowReduce - Chrome | 28 016 979-00 0010 |
|--|--|-----------------------|

Required miscellaneous

| | | |
|--|--|-----------------------|
| | Hand shower FlowReduce - Chrome | 28 012 979-00 0010 |
|--|--|-----------------------|

Required miscellaneous

| | | |
|--|-----------------------------|---------------|
| | Hand shower - Chrome | 28 012 979-00 |
|--|-----------------------------|---------------|

Required miscellaneous

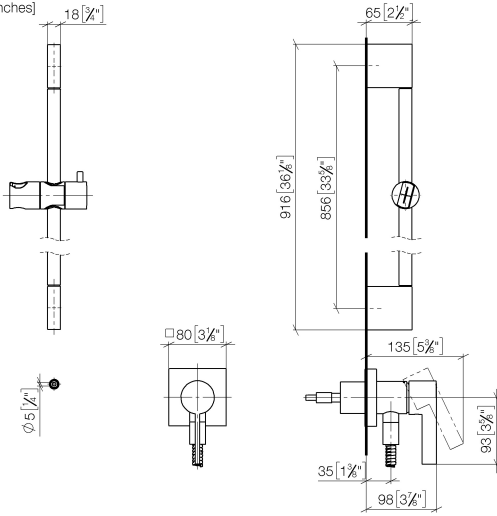
| | | |
|--|--|-----------------------|
| | Hand shower FlowReduce - Chrome | 28 018 979-00 0010 |
|--|--|-----------------------|

Concealed single-lever mixer with integrated shower connection with shower set without hand shower - Chrome

IMO

36 013 970

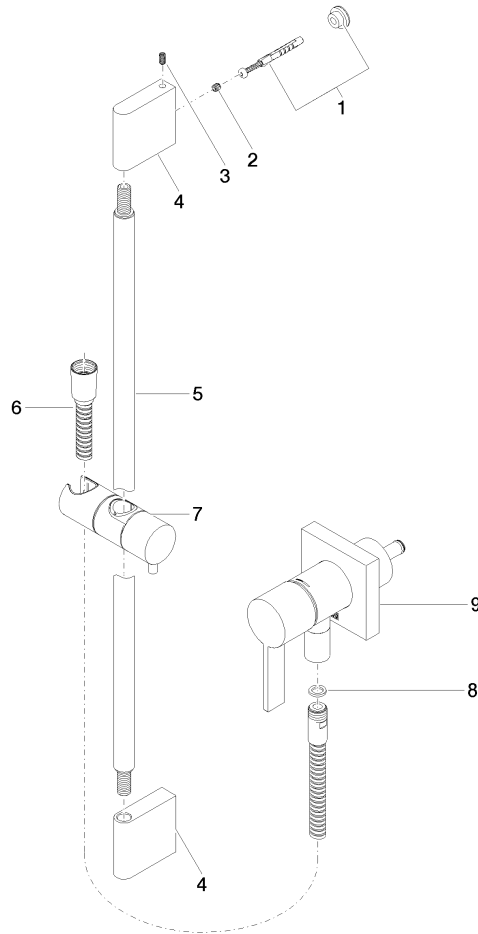
mm [inches]



Certificates

Belgaqua_21-025- WRAS_2011027. LGA_29569.
27_1.

36 013 970



Spare parts list

| No. | Item Number | Name | Quantity used | Delivery time |
|-----|--------------------|--|---------------|---------------|
| 1 | 05 17 20 726 02 90 | fixing set | 1 | 2 |
| 2 | 09 31 11 049 90 | pin | 2 | 2 |
| 3 | 04 31 11 113 00 90 | pin | 2 | 2 |
| 4 | 08 17 97 054-00 | holder | 2 | 10 |
| 5 | 90 28 22 597 00-00 | holder | 1 | 10 |
| 6 | 28 322 970-00 | Metal shower hose 1/2" x 3/8" x 1750 mm - Chrome | 1 | 2 |
| 7 | 12 580 970-00 | Slide unit - Chrome | 1 | 10 |
| 8 | 90 14 20 026 00 90 | seal | 1 | 2 |
| 9 | 36 045 970-00 | Concealed single-lever mixer with cover plate with integrated shower connection - Chrome | 1 | 10 |