

Concealed single-lever mixer with integrated shower connection with shower set without hand shower - Brushed Dark Platinum

IMO

36 013 970



Fits: IMO, MEM, CL.1

- cover plate 80 x 80 mm
- metal shower hose 1750mm with integrated anti-twist protection
- slide bar
- Pipe diameter 18 mm
- WRAS 2011027

This article does not include a hand shower!

Intrinsic protection against back flow.

Article cannot be extended, please check the depth of the installation location!

This article does not include a hand shower!

Intrinsic protection against back flow.

Article cannot be extended, please check the depth of the installation location!

| | | |
|--|--------------------------------|---------------|
| | Brushed Dark Platinum | 36 013 970-99 |
| | Chrome | 36 013 970-00 |
| | Brushed Platinum | 36 013 970-06 |
| | Platinum | 36 013 970-08 |
| | Dark Chrome | 36 013 970-19 |
| | Brushed Durabronze (23kt Gold) | 36 013 970-28 |
| | Matte Black | 36 013 970-33 |
| | Brushed Champagne (22kt Gold) | 36 013 970-46 |
| | Champagne (22kt Gold) | 36 013 970-47 |
| | Brushed Chrome | 36 013 970-93 |

Required miscellaneous

| | | |
|--|---|---------------|
| | Concealed wall mounting - •max. recess depth 103 mm •min. recess depth 78 mm | 35 003 970 90 |
|--|---|---------------|

Required miscellaneous

| | | |
|--|--|---------------|
| | Hand shower - Brushed Dark Platinum | 28 017 979-99 |
|--|--|---------------|

Required miscellaneous

| | | |
|--|---|--------------------|
| | Hand shower FlowReduce - Brushed Dark Platinum | 28 012 979-99 0010 |
|--|---|--------------------|

Required miscellaneous

| | | |
|--|--|---------------|
| | Hand shower - Brushed Dark Platinum | 28 016 979-99 |
|--|--|---------------|

Required miscellaneous

| | | |
|--|--|---------------|
| | Hand shower - Brushed Dark Platinum | 28 012 979-99 |
|--|--|---------------|

Required miscellaneous

| | | |
|--|---|--------------------|
| | Hand shower FlowReduce - Brushed Dark Platinum | 28 016 979-99 0010 |
|--|---|--------------------|

Required miscellaneous

| | | |
|--|--|---------------|
| | Hand shower - Brushed Dark Platinum | 28 018 979-99 |
|--|--|---------------|

Required miscellaneous

| | | |
|--|---|--------------------|
| | Hand shower FlowReduce - Brushed Dark Platinum | 28 018 979-99 0010 |
|--|---|--------------------|

Required miscellaneous

| | | |
|--|---|---------------|
| | SERIES-VARIOUS Hand shower - Brushed Dark Platinum | 28 029 979-99 |
|--|---|---------------|

Required miscellaneous

| | | |
|--|---|--------------------|
| | SERIES-VARIOUS Hand shower - Brushed Dark Platinum | 28 029 979-99 0010 |
|--|---|--------------------|

Required miscellaneous

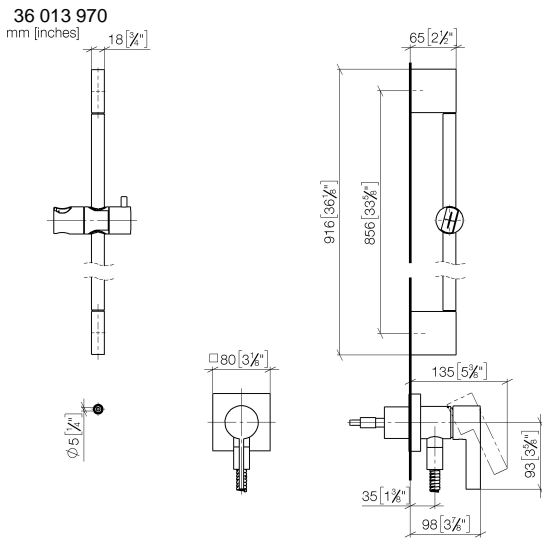
| | | |
|--|---|--------------------|
| | SERIES-VARIOUS Hand shower - Brushed Dark Platinum | 28 025 979-99 0010 |
|--|---|--------------------|

Required miscellaneous

| | | |
|--|---|--------------------|
| | SERIES-VARIOUS Hand shower - Brushed Dark Platinum | 28 027 979-99 0010 |
|--|---|--------------------|

Concealed single-lever mixer with integrated shower connection with shower set without hand shower - Brushed Dark Platinum

IMO



Codes & Standards

DIN 4109

EN 1717

ISO 3822

Scottish Water
Byelaws

UK Water Supply
Regulations

Ü-Zeichen

Certificates

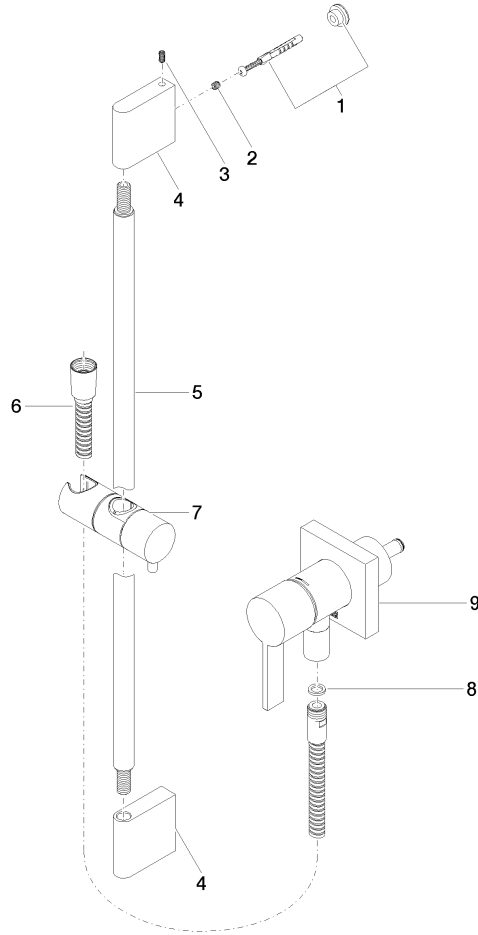
Belgaqua_21-025-2 LGA_29

WRAS_2011

Concealed single-lever mixer with integrated shower connection with shower set without hand shower - Brushed Dark Platinum

IMO

36 013 970





Concealed single-lever mixer with integrated shower connection with shower set without hand shower - Brushed Dark Platinum

IMO

36 013 970

Spare parts list

| No. | Item Number | Name | Quantity used | Delivery time |
|-----|--------------------|------------|---------------|---------------|
| | 05 17 20 726 02 90 | fixing set | 12 | 2 |