

Concealed single-lever mixer with integrated shower connection with shower set without hand shower - Platinum

IMO

36 110 970



- metal shower hose 1750mm with integrated anti-twist protection
- slide bar
- Pipe diameter 18 mm
- WRAS 2011027

**This article does not include a hand shower!**  
**Intrinsic protection against back flow.**

This article does not include a hand shower!

Intrinsic protection against back flow.

Fits: IMO, LULU, MADISON, MEM, TARA,  
CL.1, LISSÉ, VAIA, META, CYO

	Platinum	36 110 970-08
	Chrome	36 110 970-00
	Brushed Platinum	36 110 970-06
	Dark Chrome	36 110 970-19
	Brushed Light Gold	36 110 970-27
	Brushed Durabronz (23kt Gold)	36 110 970-28
	Matte Black	36 110 970-33
	Brushed Bronze	36 110 970-42
	Brushed Champagne (22kt Gold)	36 110 970-46
	Champagne (22kt Gold)	36 110 970-47
	Brushed Chrome	36 110 970-93
	Brushed Dark Platinum	36 110 970-99

**Concealed single-lever mixer with integrated shower connection with shower set without hand shower - Platinum**

IMO

36 110 970

**Required miscellaneous**



**Concealed wall mounting -**  
 •max. recess depth 105 mm  
 •min. recess depth 80 mm

35 050 970 90

**Required miscellaneous**



**Hand shower - Platinum**

28 016 979-08

**Required miscellaneous**



**Hand shower - Platinum**

28 012 979-08

**Required miscellaneous**



**Hand shower FlowReduce - Platinum**

28 016 979-08 0010

**Required miscellaneous**



**Hand shower - Platinum**

28 017 979-08

**Required miscellaneous**



**Hand shower FlowReduce - Platinum**

28 012 979-08 0010

**Required miscellaneous**



**Hand shower - Platinum**

28 018 979-08

**Required miscellaneous**



**Hand shower FlowReduce - Platinum**

28 018 979-08 0010

**Required miscellaneous**



**SERIES-VARIOUS Hand shower - Platinum**

28 029 979-08

**Required miscellaneous**



**SERIES-VARIOUS Hand shower - Platinum**

28 029 979-08 0010

**Required miscellaneous**



**SERIES-VARIOUS Hand shower - Platinum**

28 027 979-08 0010

**Required miscellaneous**



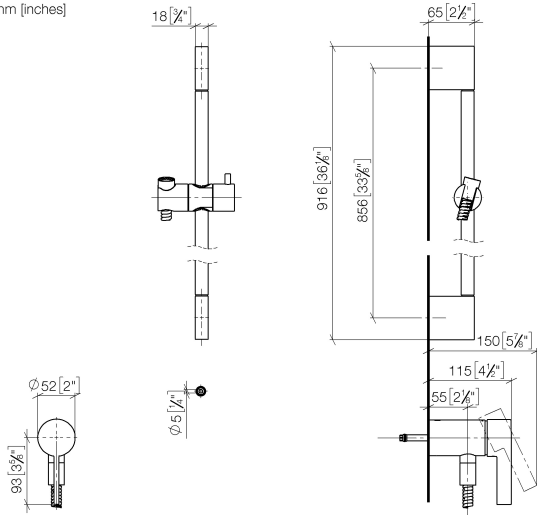
**SERIES-VARIOUS Hand shower - Platinum**

28 025 979-08 0010

**Concealed single-lever mixer with integrated shower connection with shower set without hand shower - Platinum**

IMO

36 110 970  
mm [inches]



**Codes & Standards**

DIN 4109	EN 1717	ISO 3822	Scottish Water Byelaws
UK Water Supply Regulations	Ü-Zeichen		

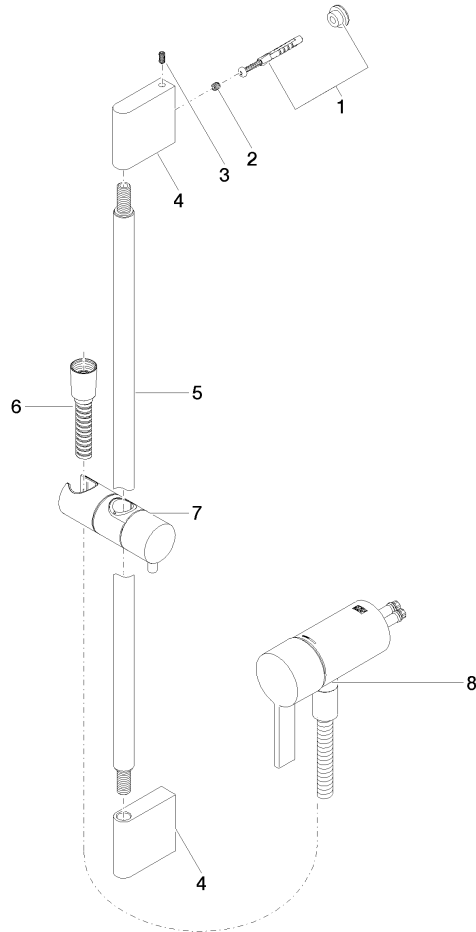
**Certificates**

Belgaqua\_21-025-2 WRAS\_2011 LGA\_29

Concealed single-lever mixer with integrated shower connection with shower set without hand shower - Platinum

36 110 970

Product version from 10/1/2023





Concealed single-lever mixer with integrated shower connection with shower set without hand shower - Platinum

IMO

36 110 970

### Spare parts list

Product version from 10/1/2023

No.	Item Number	Name	Quantity used	Delivery time
	05 17 20 726 02 90	fixing set	11	2