

## VAIA Concealed single-lever mixer with diverter - Brushed Platinum

36 120 809 Product version from 2/20/2020



- automatic diverter
- cover plate Ø 150 mm
- WRAS

	Brushed Platinum	36 120 809-06
	Chrome	36 120 809-00
	Platinum	36 120 809-08
	Dark Chrome	36 120 809-19
	Brushed Durabronze (23kt Gold)	36 120 809-28
	Brushed Bronze	36 120 809-42
	Brushed Champagne (22kt Gold)	36 120 809-46
	Champagne (22kt Gold)	36 120 809-47
	Brushed Dark Platinum	36 120 809-99

### Required miscellaneous



**Concealed single-lever mixer with backflow preventor -** 35 021 970 90

- max. recess depth mm
- min. recess depth mm

### Recommended miscellaneous



**xGRID Attachment set for integrating in the dry wall construction -** 12 340 970 90

### Required miscellaneous



**Concealed single-lever mixer -** 35 020 970 90

- max. recess depth mm
- min. recess depth mm

### Required miscellaneous

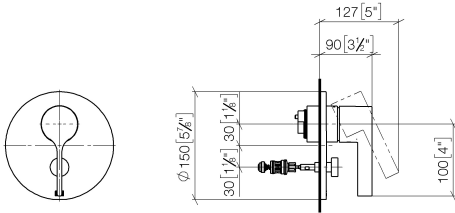


**xGRID Installation track 555 mm -** 12 360 970 90

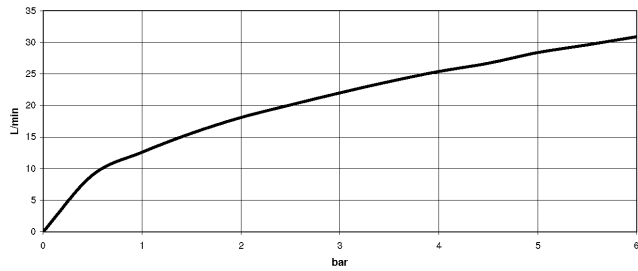
**VAIA Concealed single-lever mixer with diverter - Brushed Platinum**

36 120 809 Product version from 2/20/2020

mm [inches]



**Flow rate chart**



**Codes & Standards**

DIN 4109

ISO 3822

Scottish Water  
Byelaws

UK Water Supply  
Regulations

**Ü-Zeichen**



## VAIA Concealed single-lever mixer with diverter - Brushed Platinum

---

36 120 809 Product version from 2/20/2020

### Certificates

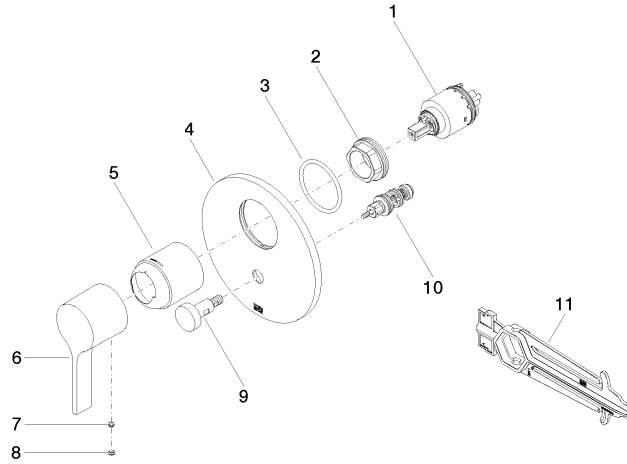
---

LGA\_19

WRAS\_2207

**VAIA Concealed single-lever mixer with diverter - Brushed Platinum**

36 120 809 Product version from 2/20/2020



**Spare parts list**

No.	Item Number	Name	Quantity used	Delivery time
1	90 15 05 039 00 90	cartridge	1	2
2	09 24 04 448 90	nut	1	2
3	09 14 10 084 90	seal	1	2
4	09 11 02 261-06	plate	1	10
5	09 11 02 260-06	sleeve	1	10
6	09 20 80 023-06	handle	1	10
7	90 31 11 063 00 90	pin	1	2
8	90 31 20 087 00-06	plug	1	10
9	90 31 09 139 00-06	pull-rod	1	10
10	90 21 34 081 00 90	diverter	1	2
11	90 30 09 064 00 90	key	1	2