



**LULU Concealed single-lever mixer with diverter - Chrome**

36 122 710



- automatic diverter
- cover plate 150 x 90 mm

	Chrome	36 122 710-00
	Brushed Platinum	36 122 710-06

**Required miscellaneous**



**Concealed single-lever mixer with backflow preventor -** 35 021 970 90  
 • max. recess depth mm  
 • min. recess depth mm

**Required miscellaneous**



**Concealed single-lever mixer -** 35 020 970 90  
 • max. recess depth mm  
 • min. recess depth mm

**Recommended miscellaneous**



**xGRID Attachment set for integrating in the dry wall construction -** 12 340 970 90

**Required miscellaneous**

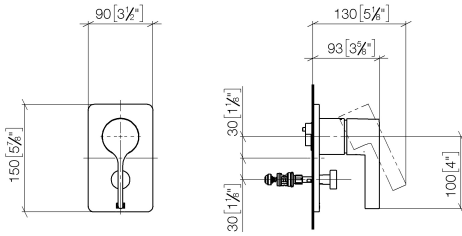


**xGRID Installation track 555 mm -** 12 360 970 90

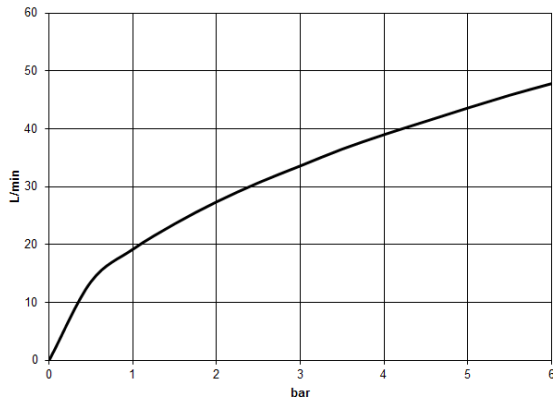
**LULU Concealed single-lever mixer with diverter - Chrome**

36 122 710

mm [inches]



**Flow rate chart**



**Codes & Standards**

DIN 4109

ISO 3822

Ü-Zeichen



## LULU Concealed single-lever mixer with diverter - Chrome

---

36 122 710

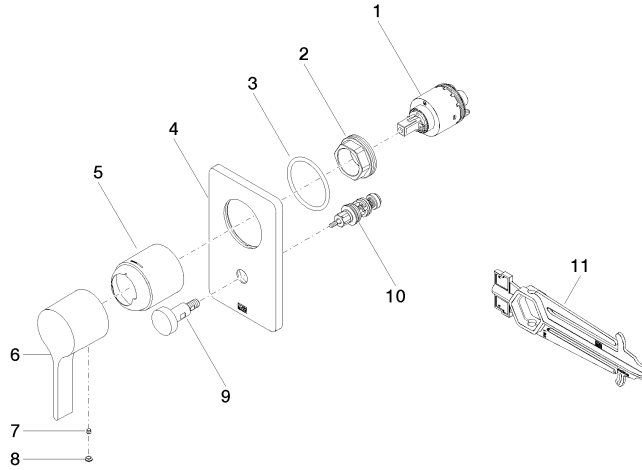
Certificates

---

LGA\_29

**LULU Concealed single-lever mixer with diverter - Chrome**

36 122 710



**Spare parts list**

No.	Item Number	Name	Quantity used	Delivery time
1	90 15 05 039 00 90	cartridge	1	2
2	09 24 04 448 90	nut	1	2
3	09 14 10 084 90	seal	1	2
4	09 11 02 328-00	plate	1	10
5	09 11 02 260-00	sleeve	1	10
6	09 20 80 023-00	handle	1	10
7	09 31 11 099 90	pin	1	2
8	90 31 20 087 00-00	plug	1	10
9	90 31 09 139 00-00	pull-rod	1	10
10	90 21 34 081 00 90	diverter	1	2
11	90 30 09 064 00 90	key	1	2