

**WATER FAN horizontal Concealed body spray - Matte Black**

IMO

36 512 979



- forceful flat water jet
- horizontal water jet
- cover plate 240 x 60 mm
- water jet adjustable
- 1/2" connection
- max. flow 10 l/min
- WRAS 2005003
- This product can help a building meet the requirements of Green Building Rating Systems, e.g. LEED®, BREEAM®, DGNB

Fits: IMO, LULU, MADISON, MEM, TARA, CL.1, LISSÉ, VAIA, META, CYO

|  |                                |               |
|--|--------------------------------|---------------|
|    | Matte Black                    | 36 512 979-33 |
|    | Chrome                         | 36 512 979-00 |
|    | Brushed Platinum               | 36 512 979-06 |
|    | Platinum                       | 36 512 979-08 |
|    | Dark Chrome                    | 36 512 979-19 |
|    | Light Gold                     | 36 512 979-26 |
|    | Brushed Light Gold             | 36 512 979-27 |
|    | Brushed Durabronze (23kt Gold) | 36 512 979-28 |
|    | Brushed Bronze                 | 36 512 979-42 |
|   | Brushed Champagne (22kt Gold)  | 36 512 979-46 |
|  | Champagne (22kt Gold)          | 36 512 979-47 |
|  | Brushed Chrome                 | 36 512 979-93 |
|  | Brushed Dark Platinum          | 36 512 979-99 |

**Required miscellaneous**



- Concealed wall installation box - 35 206 970 90**
- max. recess depth 173 mm
  - min. recess depth 100 mm

**Recommended miscellaneous**



- xGRID Attachment set for integrating in the dry wall construction - 12 340 970 90**

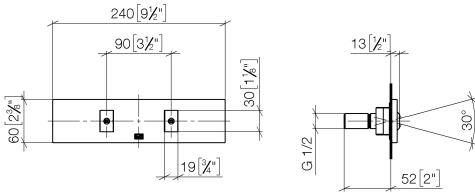
**Required miscellaneous**



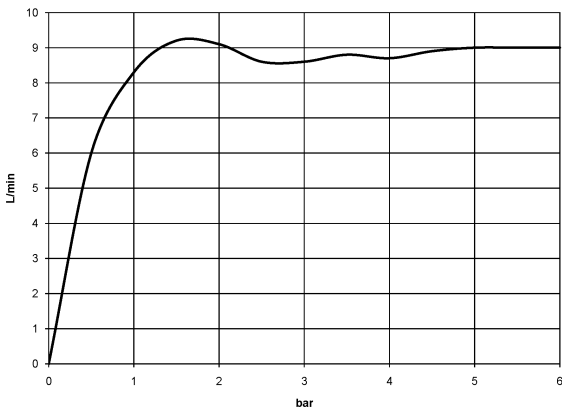
- xGRID Installation track 555 mm - 12 360 970 90**

36 512 979

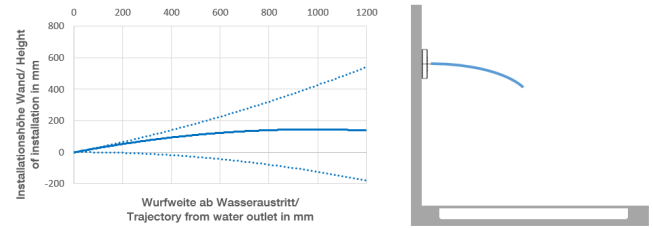
mm [inches]



**Flow rate chart**



**Trajectory diagram**



**Codes & Standards**

DIN 4109

ISO 3822

Scottish Water  
Byelaws

UK Water Supply  
Regulations

**Ü-Zeichen**



WATER FAN horizontal Concealed body spray - Matte Black

---

IMO

36 512 979

Certificates

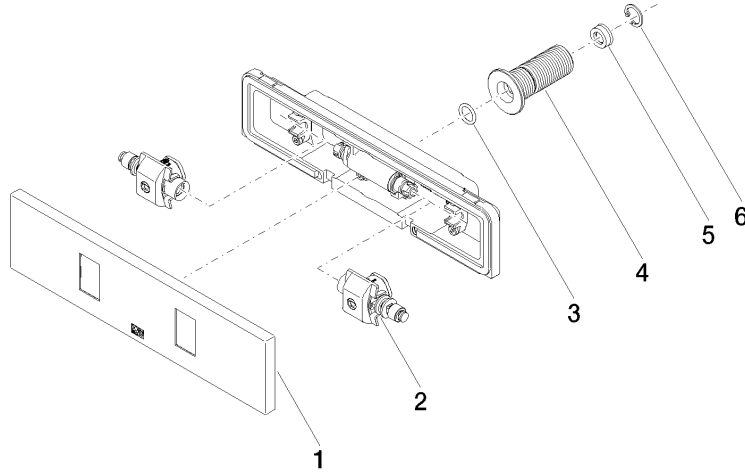
---

LGA\_29

WRAS\_2005

36 512 979

Product version from 4/1/2024





WATER FAN horizontal Concealed body spray - Matte Black

IMO

36 512 979

**Spare parts list**

**Product version from 4/1/2024**

| No. | Item Number        | Name   | Quantity used | Delivery time |
|-----|--------------------|--------|---------------|---------------|
|     | 90 27 99 002 00-33 | insert | 6             | 30            |