

WATER CURVE Concealed body spray - Brushed Durabronze (23kt Gold)

IMO

36 514 979




- AQUAPRESSURE FLOW, max. flow rate 10 l/min (at 3 bar)
- water jet adjustable
- cover plate 120 x 60 mm
- 1/2" connection
- WRAS 2005004

Fits: IMO, LULU, MADISON, MEM, TARA, CL.1, LISSÉ, VAIA, META, CYO

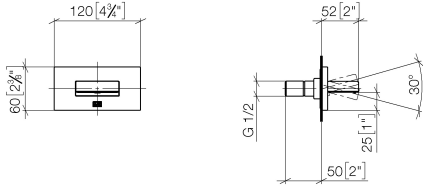
	Brushed Durabronze (23kt Gold)	36 514 979-28
	Chrome	36 514 979-00
	Brushed Platinum	36 514 979-06
	Platinum	36 514 979-08
	Dark Chrome	36 514 979-19
	Light Gold	36 514 979-26
	Brushed Light Gold	36 514 979-27
	Matte Black	36 514 979-33
	Brushed Bronze	36 514 979-42
	Brushed Champagne (22kt Gold)	36 514 979-46
	Champagne (22kt Gold)	36 514 979-47
	Brushed Chrome	36 514 979-93
	Brushed Dark Platinum	36 514 979-99

Recommended miscellaneous

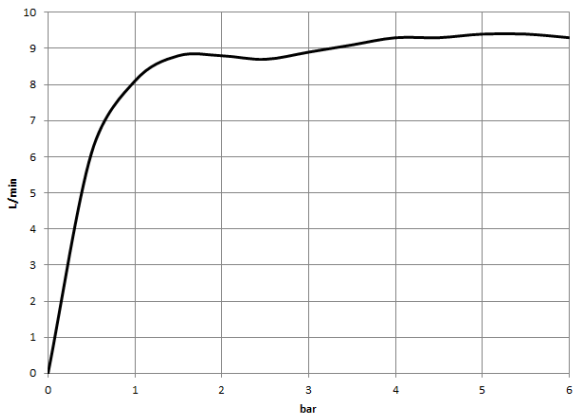
	Concealed wall elbow - ● max. recess depth 163 mm ● min. recess depth 90 mm	35 085 970 90
---	--	---------------

36 514 979

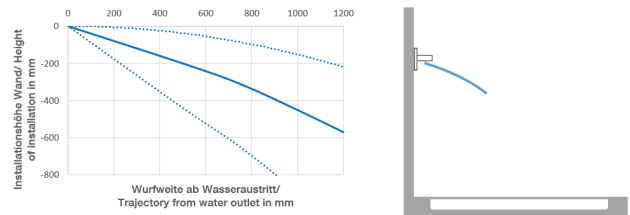
mm [inches]



Flow rate chart



Trajectory diagram



Codes & Standards

DIN 4109

ISO 3822

Scottish Water
Byelaws

UK Water Supply
Regulations

Ü-Zeichen



WATER CURVE Concealed body spray - Brushed Durabross (23kt Gold)

IMO

36 514 979

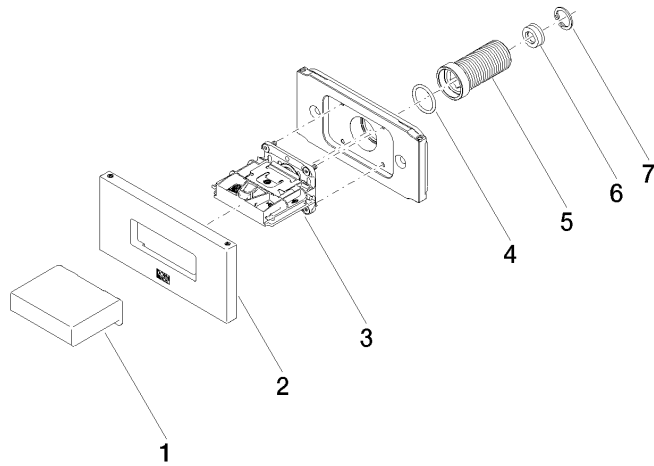
Certificates

LGA_29

WRAS_2005

36 514 979

Product version from 4/1/2024





WATER CURVE Concealed body spray - Brushed Durabronz (23kt Gold)

IMO

36 514 979

Spare parts list

Product version from 4/1/2024

No.	Item Number	Name	Quantity used	Delivery time
	09 17 01 230-28	casing	7	20