

36 515 979




- HORIZONTAL RAIN, max. flow rate 6 l/min (at 3 bar)
- with anti-scale system
- cover plate 120 x 120 mm
- This product can help a building meet the requirements of Green Building Rating Systems, e.g. LEED®, BREEAM®, DGNB
- WRAS 1304001

**Flow restrictor (8.3 l/min) to extend shower jet from approx. 500 mm to approx. 1000 mm**

Flow restrictor (8.3 l/min) to extend shower jet from approx. 500 mm to approx. 1000 mm

Fits: IMO, LULU, MADISON, MEM, TARA, CL.1, LISSÉ, VAIA, META, CYO

|  |                                |               |
|--|--------------------------------|---------------|
|    | Chrome                         | 36 515 979-00 |
|    | Brushed Platinum               | 36 515 979-06 |
|    | Platinum                       | 36 515 979-08 |
|    | Dark Chrome                    | 36 515 979-19 |
|    | Light Gold                     | 36 515 979-26 |
|    | Brushed Light Gold             | 36 515 979-27 |
|    | Brushed Durabronze (23kt Gold) | 36 515 979-28 |
|    | Matte Black                    | 36 515 979-33 |
|    | Brushed Bronze                 | 36 515 979-42 |
|    | Brushed Champagne (22kt Gold)  | 36 515 979-46 |
|   | Champagne (22kt Gold)          | 36 515 979-47 |
|  | Brushed Chrome                 | 36 515 979-93 |
|  | Brushed Dark Platinum          | 36 515 979-99 |

**Required miscellaneous**



**WATER POINTS Adapter plate -** 12 305 970 90  
 • adapter plate for mounting concealed rough parts 35 205 970 90 on the xGRID installation track.

**Required miscellaneous**



**Concealed wall installation box -** 35 205 970 90  
 • max. recess depth 110 mm  
 • min. recess depth 85 mm

**Recommended miscellaneous**



**xGRID Attachment set for integrating in the dry wall construction -** 12 340 970 90

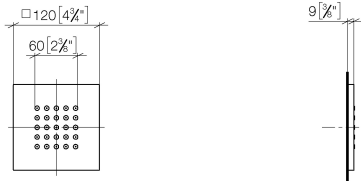
**Required miscellaneous**



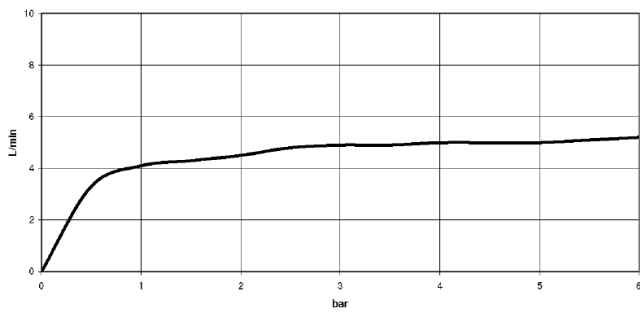
**xGRID Installation track 555 mm -** 12 360 970 90

36 515 979

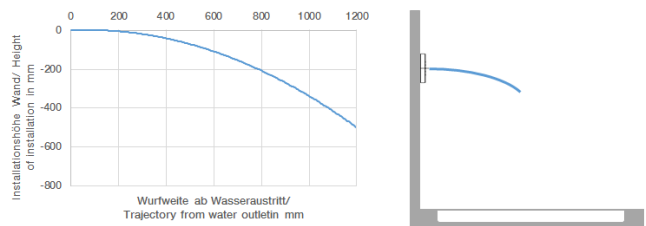
mm [inches]



**Flow rate chart**



**Trajectory diagram**



**Codes & Standards**

ASME A112.18.1

cUPC

DIN 4109

ISO 3822

Scottish Water  
Byelaws

UK Water Supply  
Regulations

Ü-Zeichen



WATER POINTS Concealed body spray FlowReduce - Chrome

---

IMO

36 515 979

Certificates

---

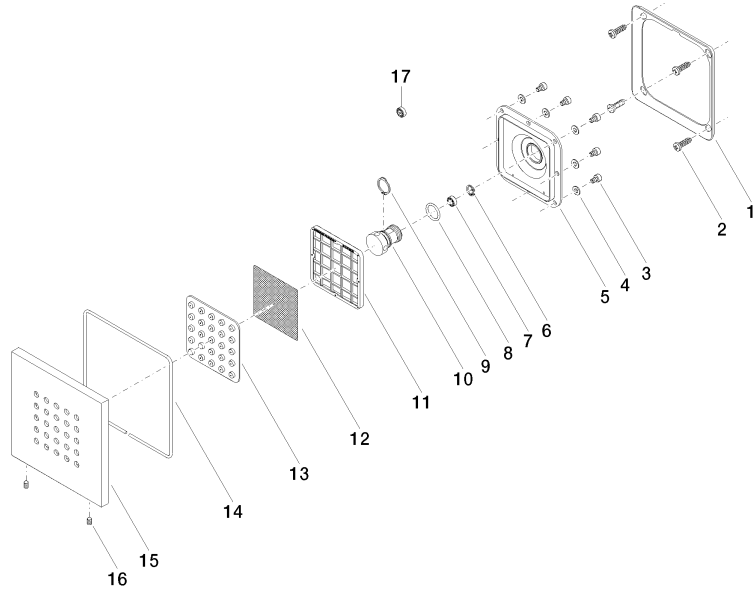
WRAS\_1304

LGA\_18

IAPMO\_4976

36 515 979

Product version from 4/1/2024





WATER POINTS Concealed body spray FlowReduce - Chrome

IMO

36 515 979

**Spare parts list**

**Product version from 4/1/2024**

| No. | Item Number     | Name   | Quantity used | Delivery time |
|-----|-----------------|--------|---------------|---------------|
|     | 09 28 01 024 90 | holder | 34            | 2             |